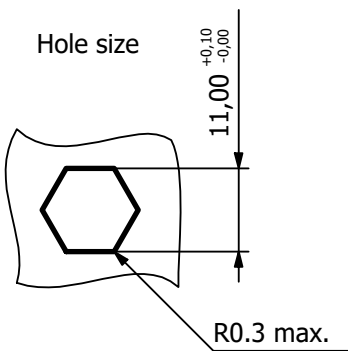
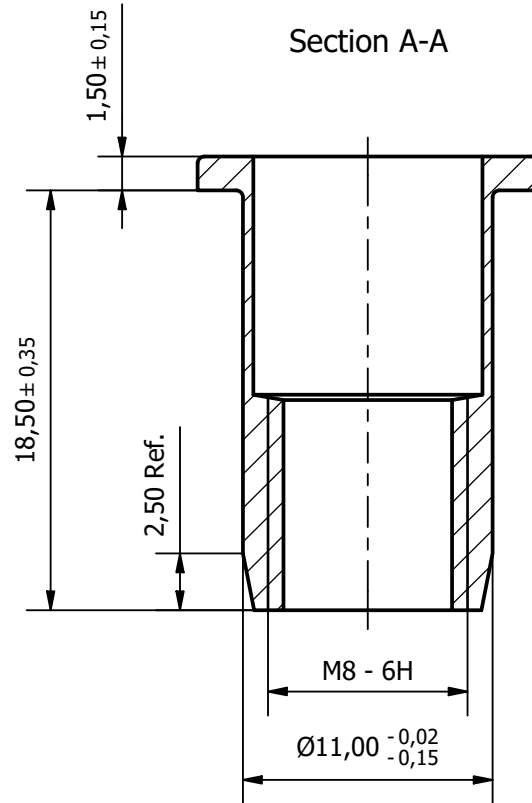
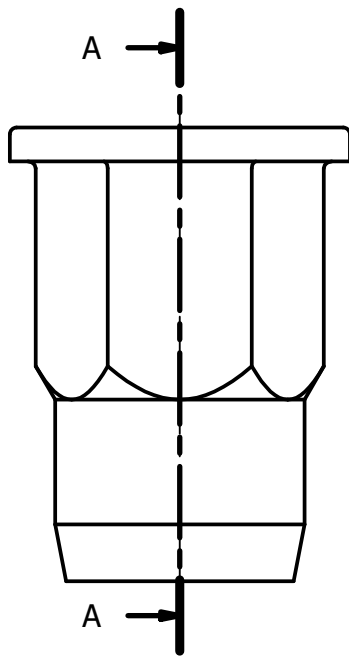
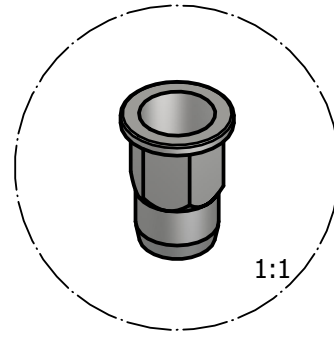
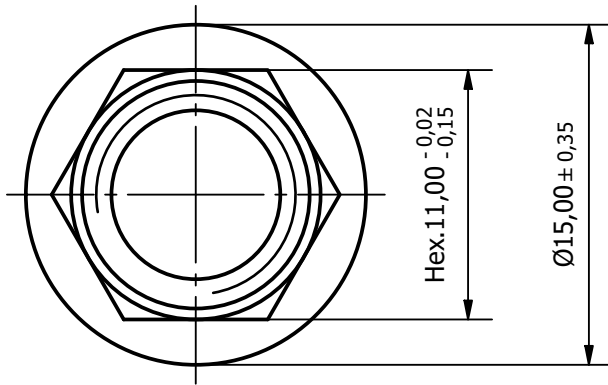

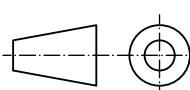


This drawing is property of Dejongd. No reproduction without written permission!



GRIP 3,0 - 5,5 mm

REV	DESCRIPTION		STATUS	APPROVED	DATE
B	changed inner geometry to round		Released	Michiel	4/02/2026
Finish / Coating : Polished			 <b>Tubtara</b> <sup>®</sup> BLIND RIVET NUTS <small>A BRAND BY DEJOND NV</small>		
	Name	Date			
Designed by	simon	4/02/2026	Sp. Treat. :		Art. Nr. : 548911
A4		Scale 3 : 1	Art. Nr. Cust. :		Draw. Nr. : 254 SMO M8 HUPO 060523 DR
			Weight : ± 7,0 g	Customer Draw.	