

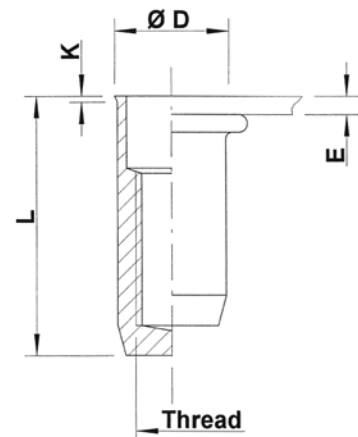
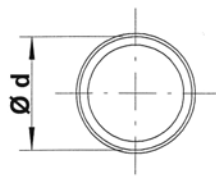
Stainless Steel 316

(contains > 2% Molybden)

Low profile head
Round shank
Closed end

UKX

extra high
corrosion resistance



Stainless Steel 316

THREAD	TYPE	E = grip	L	b ^{+0,1} = drill dia	d = shank dia	D	K	kg/1000	ORDER CODE	BOX Q
M4	UKX20	0,5-2,0	15,5	6,0	6,0	6,5	0,5	1,9	554 250	2000
M5	UKX30	0,5-3,0	18,0	7,0	7,0	7,5	0,5	2,7	555 450	1500
M6	UKX30	0,5-3,0	21,5	9,0	9,0	9,5	0,5	5,8	556 450	1000
M8	UKX30	0,5-3,0	24,0	11,0	11,0	11,5	0,5	8,8	558 190	500

M10: programme in progress

Availability & other versions: please contact our Sales Department

All dimensions in mm

Technical data subject to modification

