



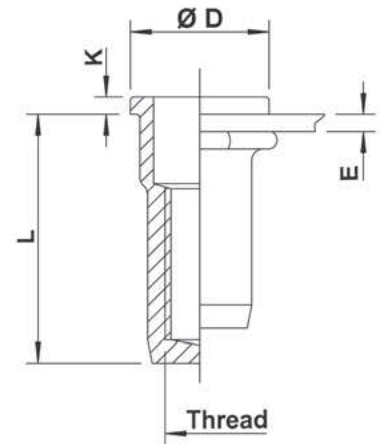
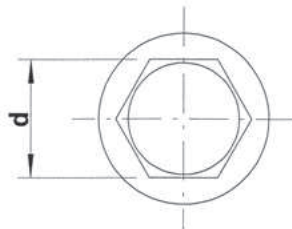
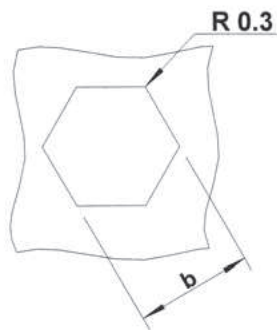
Stainless Steel 316

(contains > 2% Molybden)

Semi-hexagonal shank
Flat head
Closed end

HUPX / HSPX

extra high
corrosion resistance



THREAD	TYPE	E = grip	L	b ^{+0,1} = hex hole	d = hex shank	D	K	kg/1000	ORDER CODE	BOX Small	BOX Large
M4	HUPX20	0,5-2,0	15,0	6,0	6,0	9,0	1,0	2,2	554 520	(500)	2000
M5	HUPX30	0,5-3,0	17,5	7,0	7,0	10,0	1,0	3,0	555 520	(500)	1500
	HUPX50	3,0-5,0	19,5					3,2	555 525	(500)	1200
M6	HUPX30	0,5-3,0	21,5	9,0	9,0	12,0	1,5	6,6	556 470	(500)	750
	HUPX50	3,0-5,0	23,5					6,9	556 475	(500)	750
M8	HUPX30	0,5-3,0	23,5	11,0	11,0	15,0	1,5	9,6	558 260	-	500
	HUPX55	3,0-5,5	26,0					10,0	558 280	-	500
M10	HSPX35	0,8-3,5	28,5	13,0	13,0	17,0	1,5	16,0	550 635	(100)	250
	HSPX60	3,5-6,0	31,0					17,0	550 636*	-	-

Small box: only for DFS customers, not export - (xxx) handling cost can be charged

* **Non-stock item:** minimum order quantity required after depletion of stock

All dimensions in mm - Technical data subject to modification

Tolerances and characteristics see chapter 'Technical Information'

