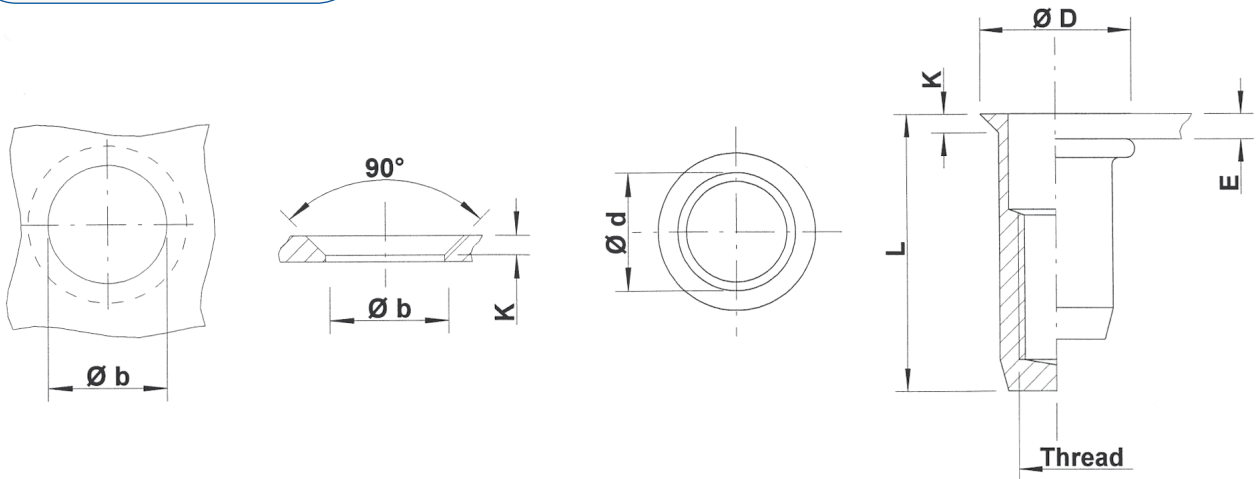




Stainless Steel 304

Round shank
Countersunk head
Closed end

UFX / SFX



THREAD	TYPE	E = grip	L	b ^{+0,1} = drill dia	d = shank dia	D	K	kg/1000	ORDER CODE	BOX Small	BOX Large
M4	UFX30	1,2-3,0	16,0	6,0	6,0	8,0	1,0	2,0	544 210	(500)	5000
M5	UFX35	1,2-3,5	18,0	7,0	7,0	9,0	1,0	2,8	545 340	(500)	3500
M6	UFX45	1,7-4,5	24,0	9,0	9,0	12,0	1,5	6,7	546 260	(500)	1500
	UFX65	4,5-6,5	26,0					7,0	546 270	-	1500
M8	UFX45	1,7-4,5	25,0	11,0	11,0	14,0	1,5	9,3	548 150	(500)	1000
	UFX65	4,5-6,5	27,0					9,6	548 155	(500)	750
M10	SFX45	1,7-4,5	30,5	13,0	13,0	16,0	1,5	14,3	540 615	(100)	500
M12	UFX55	2,0-5,5	37,0	16,0	16,0	19,0	1,8	24,8	542 360*	-	-

Small box: only for DFS customers, not export - (xxx) handling cost can be charged

* **Non-stock item:** minimum order quantity required after depletion of stock

All dimensions in mm - Technical data subject to modification

Tolerances and characteristics see chapter 'Technical Information'

