

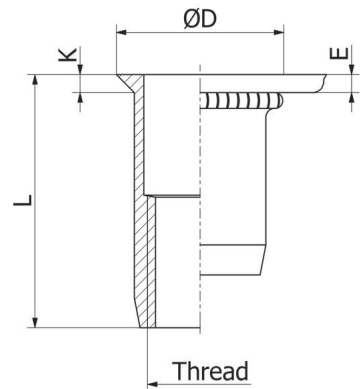
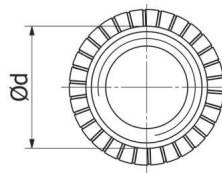
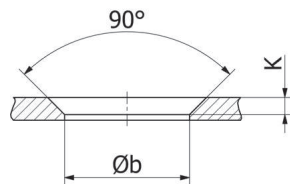
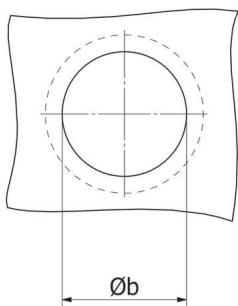


## Stainless Steel 304

Knurled shank  
Countersunk head with knurl  
Open end

UFO KN / SFO KN

improved nominal knurl



THREAD	TYPE	E = grip	L	b <sup>+0,1</sup> = drill dia	d = shank dia	D	K	kg/1000	ORDER CODE	BOX Small	BOX Large
M4	UFO30 KN	1,2-3,0	12,0	6,0	6,0	8,0	1,0	1,3	544 1207*	-	7500
M5	UFO35 KN	1,2-3,5	12,0	7,0	7,0	9,0	1,0	1,6	545 2007*	-	5000
M6	UFO45 KN	1,7-4,5	17,0	9,0	9,0	12,0	1,5	4,2	546 1257*	-	2000
M8	UFO45 KN	1,7-4,5	17,5	11,0	11,0	14,0	1,5	5,5	548 0707*	-	1250
M10	SFO45 KN	1,7-4,5	22,5	13,0	13,0	16,0	1,5	5,9	540 6107*	-	750

Small box: only for DFS customers, not export - (xxx) handling cost can be charged

\* **Non-stock item:** minimum order quantity required after depletion of stock

KN programme in progress

All dimensions in mm - Technical data subject to modification  
Tolerances and characteristics see chapter 'Technical Information'

