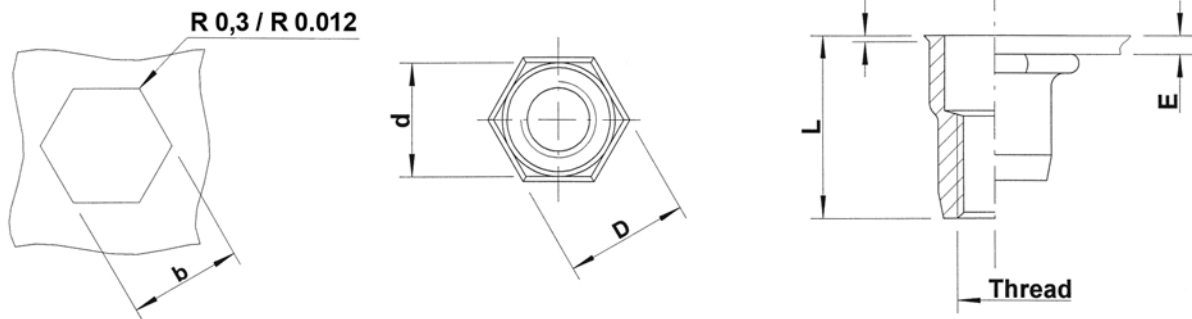


Stainless Steel 304

Low profile head
Semi-hexagonal shank
Open end

**HUKO
UNIFIED THREAD**



Stainless Steel 304

THREAD	TYPE	E = grip	L	b ^{+0,1} = hex hole	d = hex shank	D = hex head	K	kg/1000	ORDER CODE	BOX Q
10-32 UNF	HUKO30	0,5-3,0	12,0	7,0	7,0	7,5	0,5	1,5	549 530	5000
1/4-20 UNC	HUKO30	0,5-3,0	14,5	9,0	9,0	9,5	0,5	3,3	547 690	3000
5/16-18 UNC	HUKO30	0,5-3,0	16,0	11,0	11,0	11,5	0,5	4,9	547 850	2000

All dimensions in mm

THREAD	TYPE	E = grip	L	b ^{+0.004} = hex hole	d = hex shank	D = hex head	K	lbs/1000	ORDER CODE	BOX Q
10-32 UNF	HUKO30	.020-.118	0.472	0.276	0.276	0.295	.020	3.30	549 530	5000
1/4-20 UNC	HUKO30	.020-.118	0.571	0.354	0.354	0.374	.020	7.27	547 690	3000
5/16-18 UNC	HUKO30	.020-.118	0.630	0.433	0.433	0.453	.020	10.79	547 850	2000

All dimensions in inches

Technical data subject to modification

