

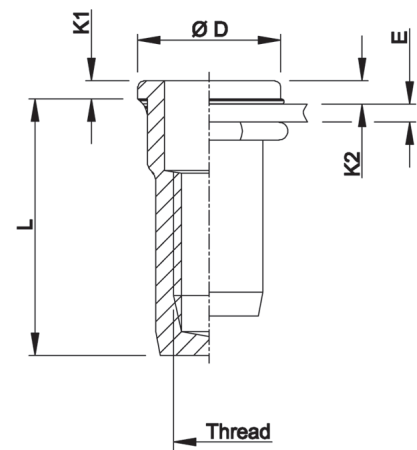
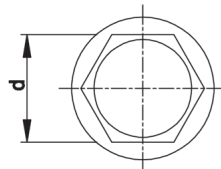
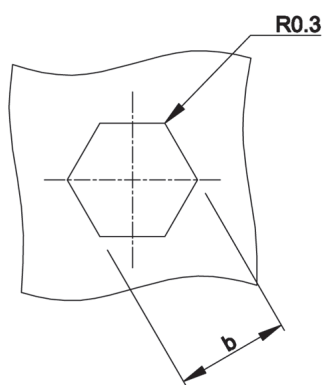


## Stainless Steel 304

Semi-hexagonal shank  
Flat head with underhead seal  
Closed end

HDPX

watertight IP67<sup>1</sup>



THREAD	TYPE	E = grip	L	b <sup>+0,1</sup> = hex hole	d = hex shank	D	K1	K2	kg/1000	ORDER CODE	BOX Small	BOX Large
M4	HDPX15	0,5-1,5	15,0	6,0	6,0	9,0	1,0	1,3	2,3	544 5205	(1000)	5000
M5	HDPX20	0,5-2,0	17,5	7,0	7,0	10,0	1,0	1,3	3,1	545 5205	(500)	2500
	HDPX40	2,0-4,0	19,5	7,0	7,0	10,0	1,0	1,3	3,3	545 5255	(500)	2000
M6	HDPX20	0,5-2,0	21,5	9,0	9,0	12,0	1,5	1,9	6,7	546 4705	(500)	1500
	HDPX40	2,0-4,0	23,5	9,0	9,0	12,0	1,5	1,9	7,0	546 4755	(500)	1250
M8	HDPX20	0,5-2,0	23,5	11,0	11,0	15,0	1,5	2,0	9,8	548 2605	(500)	750
	HDPX45	2,0-4,5	26,0	11,0	11,0	15,0	1,5	2,0	10,2	548 2805	(500)	1000
M10	HDPX25	0,8-2,5	28,5	13,0	13,0	17,0	1,5	2,5	16,2	540 6355	-	500
	HDPX50	2,5-5,0	31,0	13,0	13,0	17,0	1,5	2,5	17,2	540 6365	-	500

Small box: only for DFS customers, not export - (xxx) handling cost can be charged

Delivery time: minimum 3 weeks based on stock availability of standard Tubtara®  
Other gripranges and dimensions on demand

All dimensions in mm - Technical data subject to modification  
Tolerances and characteristics see chapter "Technical Information"

<sup>1</sup> IP 67 guaranteed under Dejong test conditions

K2: Reference values only. Several factors (seal thickness, hole size, setting force ...) influence head and seal thickness after installation.

