



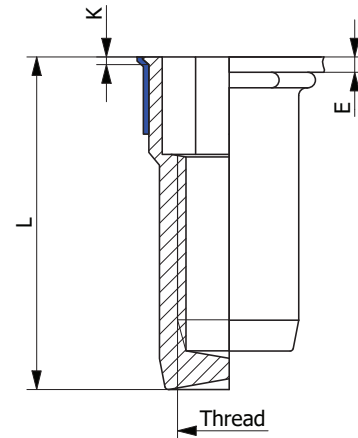
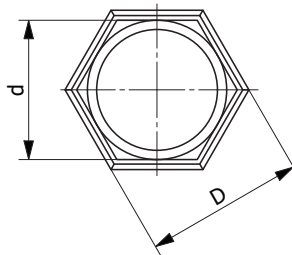
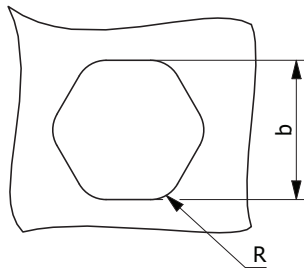
Stainless Steel 304

leakproof IPx7¹

Semi-hexagonal shank
Low profile head with underhead seal
Closed end

see page 100 for
setting forces and
leak test info

HDKX



THREAD	TYPE	E = grip	L	b ^{+0,1} = hex hole	R = radius +/- 0,05	d = hex shank	D = hex head	K	kg/1000	ORDER CODE D4	BOX Small	BOX Large
M4	HDKX17	0,5-1,7	15,5	6,0	1,6	6,0	6,5	0,5	1,8	54462054	(500)	5000
	HDKX27	1,7-2,7	16,5						1,9	54464054*	-	-
M5	HDKX27	0,5-2,7	18,0	7,0	1,8	7,0	7,5	0,5	2,7	54562054	(500)	4000
	HDKX47	2,7-4,7	20,5						2,9	54564054	(500)	3000
M6	HDKX27	0,5-2,7	21,5	9,0	2,2	9,0	9,7	0,5	5,7	54654054	(500)	2000
	HDKX47	2,7-4,7	23,5						6,1	54656554	(500)	1500
	HDKX67	4,7-6,7	25,5						6,5	54659054*	-	-
M8	HDKX27	0,5-2,7	24,0	11,0	2,7	11,0	11,8	0,5	8,7	54832054	(500)	1000
	HDKX52	2,7-5,2	26,5						9,1	54834054	(500)	1000
	HDKX77	5,2-7,7	29,0						9,5	54835054*	-	750
M10	HDKX32	0,8-3,2	29,5	13,0	2,8	13,0	13,8	0,7	14,2	54066054	(100)	350
	HDKX57	3,2-5,7	32,0						15,2	54067054*	-	500

Small box: only for DFS customers, not export - (xxx) handling cost can be charged

* **Non stock item:** minimum order quantity required after stock depletion of standard **Tubtara**® (without seal)

Compressed seal decreases maximum grip with approx. 0.3 mm, compared to standard **Tubtara**® (without seal)
Other grip ranges and dimensions on demand

All dimensions in mm - Technical data subject to modification
Tolerances, radius info and characteristics see chapter 'Technical Information'

¹ IPx7 guaranteed under Dejong test conditions

R: Hexagonal hole radius needs to be observed to obtain an IP 67 leakproof assembly, see p. 99 for more info

