

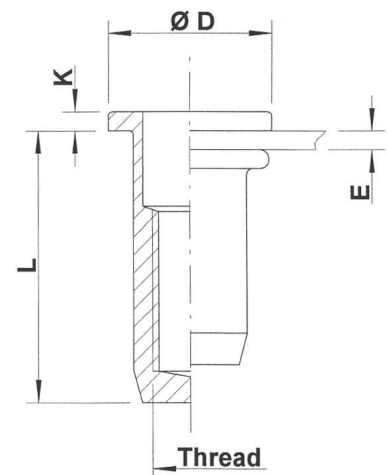
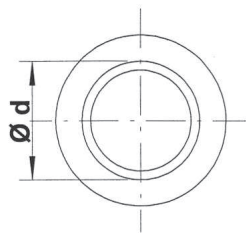
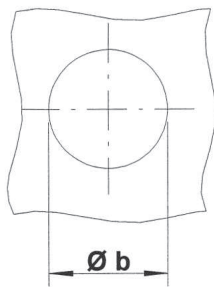


Steel

Round shank
Flat head
Closed end

Zinktop 480h, Cr^{VI}- free

UPX



THREAD	TYPE	E = grip	L	b ^{+0,1} = drill dia	d = shank dia	D	K	kg/1000	ORDER CODE	BOX Small	BOX Large
M4	UPX30	0,5-3,0	14,75	6,0	6,0	10,0	0,75	2,1	524 189	(2000)	5000
	UPX45	3,0-4,5	16,25					2,1	524 229*	-	4000
M5	UPX30	0,5-3,0	18,0	7,0	7,0	11,0	1,0	3,4	525 169	(2000)	2500
	UPX55	3,0-5,5	20,5					3,6	525 189	(2000)	2500
M6	UPX30	0,5-3,0	21,5	9,0	9,0	13,0	1,5	6,8	526 169	(1000)	1500
	UPX55	3,0-5,5	24,5					7,1	526 209	(1000)	1250
	UPX80	5,5-8,0	27,0					7,4	526 239	-	1000
M8	UPX30	0,5-3,0	22,5	11,0	11,0	16,0	1,5	10,1	528 189	(500)	1000
	UPX55	3,0-5,5	25,5					10,9	528 209	(500)	750
	UPX80	5,5-8,0	28,0					11,5	528 239	-	700
M10	UPX35	0,8-3,5	27,5	12,45	12,4	18,5	2,25	14,5	520 139	-	-
	UPX60	3,5-6,0	30,5					15,5	520 159*	-	-
M12	UPX40	1,0-4,0	35,0	16,0	16,0	23,0	2,0	28,5	522 189*	-	-
	UPX70	3,0-7,0	38,0					30,0	522 209	-	200

Small box: only for DFS customers, not export - (xxx) handling cost can be charged

* **Non-stock item:** minimum order quantity required after depletion of stock

All dimensions in mm - Technical data subject to modification

Tolerances and characteristics see chapter 'Technical Information'

