

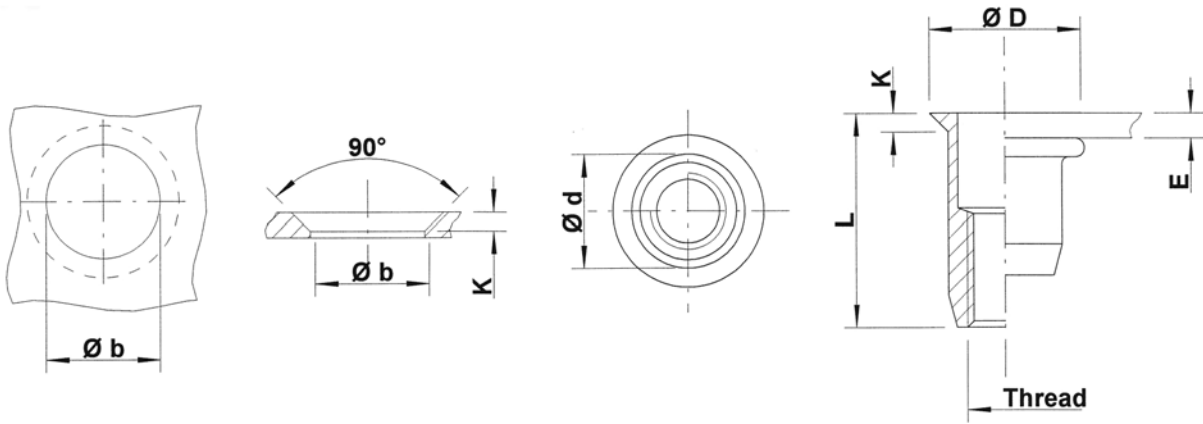


## Steel

Countersunk head  
Round shank  
Open end

Zinktop, Cr<sup>VI</sup> - free (A)  
Zinc plated, yellow passivated (B)

## UFO



THREAD	TYPE	E = grip	L	b <sup>+0,1</sup> = drill dia	d = shank dia	D	K	kg/1000	ORDER CODE (A)	ORDER CODE (B)	BOX Q
M3	UFO35	1,7-3,5	11,25	5,0	5,0	8,0	1,5	1,1	523 209	523 200*	10000
M4	UFO35	1,7-3,5	11,5	6,0	6,0	9,0	1,5	1,3	524 309	524 300	7500
	UFO50	3,5-5,0	13,0					1,5	524 329	524 320*	5000
M5	UFO40	1,7-4,0	13,0	7,0	7,0	10,0	1,5	2,0	525 269	525 260	5000
	UFO65	4,0-6,5	16,0					2,3	525 289	525 280	4000
M6	UFO45	1,7-4,5	17,0	9,0	9,0	12,0	1,5	4,2	526 309	526 300	2000
	UFO65	4,5-6,5	19,0					4,7	526 329	526 320	2000
M8	UFO45	1,7-4,5	19,0	11,0	11,0	14,0	1,5	6,3	528 269	528 260	1250
	UFO65	4,5-6,5	21,0					7,0	528 289	528 280	1250
M10	UFO45	1,7-4,5	21,0	12,5	12,4	15,4	1,5	7,6	520 229	520 220	1000
	UFO65	4,5-6,5	23,0					8,2	520 249	520 240	750
M12	UFO45	2,0-4,5	26,0	16,0	16,0	19,0	1,8	16,9	522 269	522 260	500
	UFO75	4,5-7,5	29,0					18,0	522 289	522 280	400

\* **Non-stock item:** minimum order quantity required after depletion of stock

All dimensions in mm  
Technical data subject to modification

