

Steel

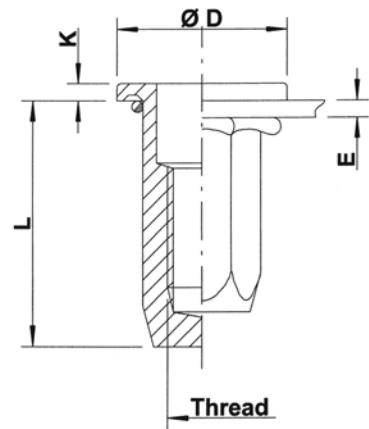
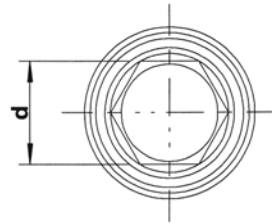
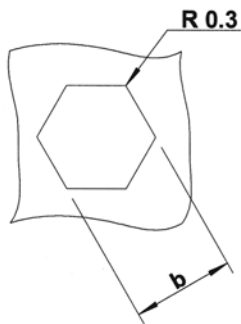
Flat head
Hexagonal shank
Closed end

Zinktop, Cr^{VI}- free (A)
Zinc plated, yellow passivated (B)



Steel

with seal
under the head



THREAD	TYPE	E = grip	L	b ^{+0,1} = hex hole	d = hex shank	D	K	kg/1000	ORDER CODE (A)	ORDER CODE (B)	BOX Q
M5	HX3001	0,5-3,0	19,0	7,0	7,0	12,5	1,5	4,3	525 925*	525 916*	2500
M6	HX3001	0,5-3,0	21,5	9,0	9,0	15,0	1,5	8,0	526 942	526 920	1250
M8	HX3001	0,5-3,0	26,7	11,0	11,0	20,0	2,0	14,8	528 935	528 924	500

* **Non-stock item:** minimum order quantity required after depletion of stock

All dimensions in mm

Technical data subject to modification

Technical information about seal and storage: see page 54

