

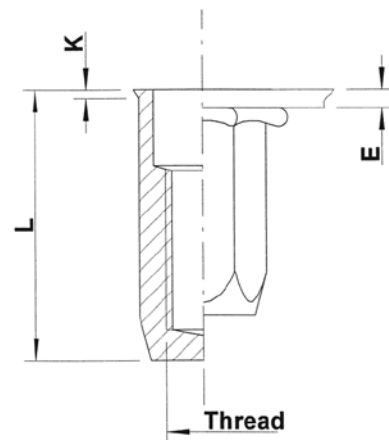
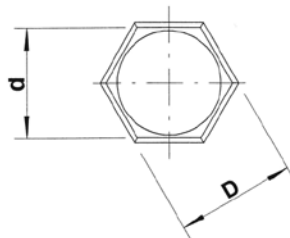
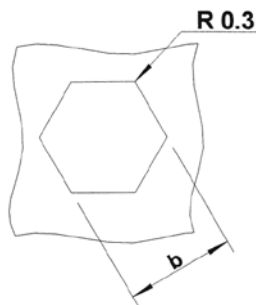


Steel

Low profile head
Hexagonal shank
Closed end

Zinktop, Cr^{VI} - free (A)
Zinc plated, yellow passivated (B)

HUKX



THREAD	TYPE	E = grip	L	b ^{+0,1} = hex hole	d = hex shank	D = hex head	K	kg/1000	ORDER CODE (A)	ORDER CODE (B)	BOX Q
M4	HUKX20	0,5-2,0	15,5	6,0	6,0	6,6	0,6	2,0	524 649	524 640	5000
M5	HUKX30	0,5-3,0	20,0	7,0	7,0	7,7	0,7	3,3	525 649	525 640	3000
M6	HUKX30	0,5-3,0	22,0	9,0	9,0	9,8	0,7	6,6	526 629	526 620	1750
M8	HUKX30	0,5-3,0	25,0	11,0	11,0	11,8	0,7	10,5	528 589	528 580	1000

All dimensions in mm
Technical data subject to modification

