

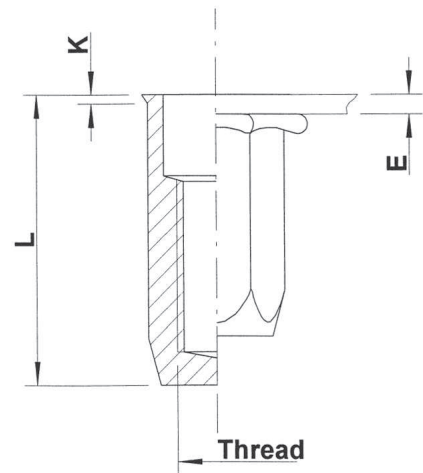
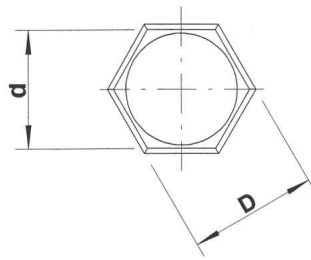
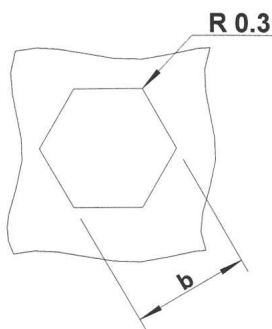


## Steel

Full-hexagonal shank  
Low profile head  
Closed end

Zinktop 480h, Cr<sup>VI</sup> - free

HUKX / HSKX



THREAD	TYPE	E = grip	L	b <sup>+0,1</sup> = hex hole	d = hex shank	D = hex head	K	kg/1000	ORDER CODE	BOX Small	BOX Large
M4	HUKX20	0,5-2,0	15,5	6,0	6,0	6,6	0,6	2,0	524 649	2000	5000
M5	HUKX30	0,5-3,0	20,0	7,0	7,0	7,7	0,6	3,3	525 649	2000	3000
	HUKX55	3,0-5,5	22,5					3,6	525 659	-	2000
M6	HUKX30	0,5-3,0	22,0	9,0	9,0	9,8	0,7	6,6	526 629	1000	1750
	HUKX55	3,0-5,5	24,5					6,9	526 639	(1000)	1250
M8	HUKX30	0,5-3,0	25,0	11,0	11,0	11,8	0,7	10,5	528 589	(500)	1000
	HUKX55	3,0-5,5	27,5					10,7	528 590	(500)	750
M10	HSKX35	0,8-3,5	32,0	13,0	13,0	13,8	0,7	18,9	520 645	-	400
	HSKX60	3,5-6,0	34,5					20,4	520 646	-	-

Small box: only for DFS customers, not export - (xxx) handling cost can be charged

All dimensions in mm - Technical data subject to modification

Tolerances and characteristics see chapter 'Technical Information'

Semi-hexagonal programme available on demand

