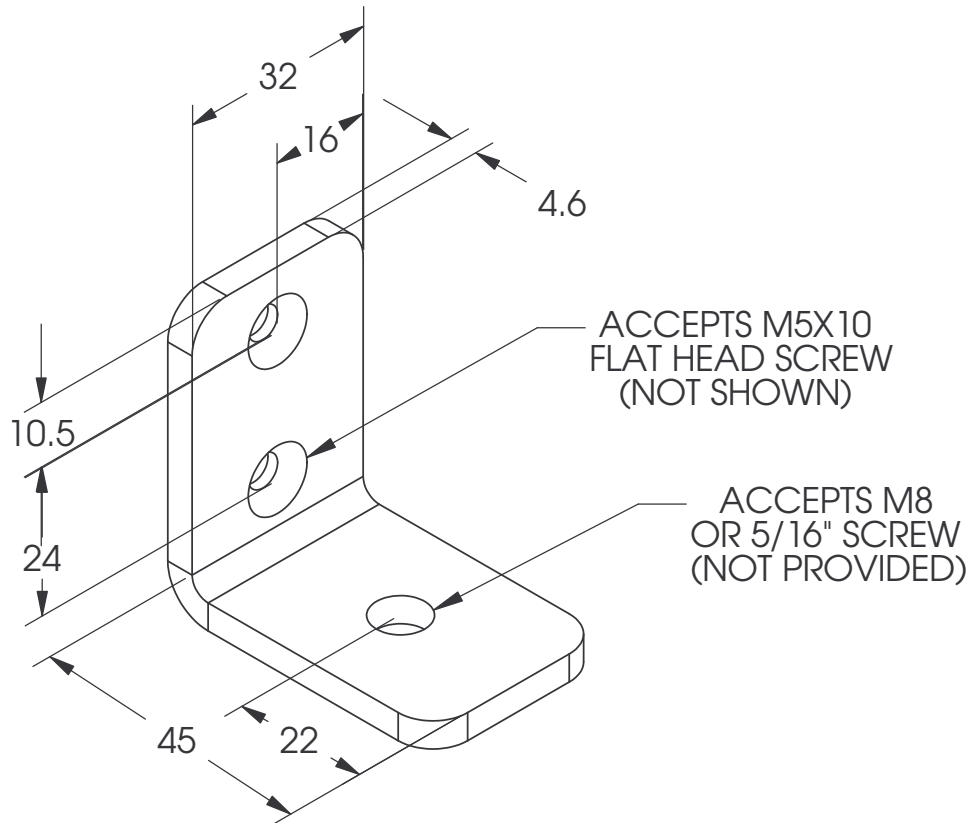


THE INFORMATION CONTAINED IN THIS DRAWING IS THE SOLE PROPERTY OF SUSPA INCORPORATED. ANY REPRODUCTION IN PART OR AS A WHOLE WITHOUT THE WRITTEN PERMISSION OF SUSPA INCORPORATED IS PROHIBITED.



NOTES:

- 1.) ALL DIMENSIONS ARE REFERENCE ONLY.
- 2.) BRACKET MATERIAL: STEEL WITH ZINC PLATING AND A CLEAR TRIVALENT CHROMATE CONVERSION COATING.
- 3.) EXTRUSION BRACKET KIT (P/N: D44-00018) INCLUDES:
(2) - MOUNTING BRACKETS, AND
(4) - M5X10 FLAT HEAD SCREWS.

A	8371	PLATING WAS BLACK CHROMATE COATING	AJB	JED	7/31/06
				JED	11/29/04
REV	ECN	REVISIONS	CHANGED BY	APPROVED BY	DATE (MM/DD/YR)

DESCRIPTION: EXTRUSION MOUNTING BRACKET (FOR CB CYLINDERS)

MATERIAL: N/A

DRAWING NUMBER: S44-0012A

		3970 Roger B. Chaffee S.E. Grand Rapids, Michigan 49548-3497 www.suspa-inc.com	DRAWING SIZE A
--	--	---	--------------------------

DO NOT MANUFACTURE TO THIS DRAWING UNLESS IT IS MARKED "CONTROLLED"

DO NOT SCALE THIS DRAWING
DIMENSIONS ARE IN MILLIMETERS
TOLERANCES UNLESS OTHERWISE SPECIFIED

ONE PLACE DECIMAL	+/-0.2	ANGULAR
TWO PLACE DECIMAL	+/-0.1	+/-2°

DRAWN BY	DATE	SCALE	 THIRD ANGLE PROJECTION
JED	11/29/04	1:1	

CUSTOMER DRAWING