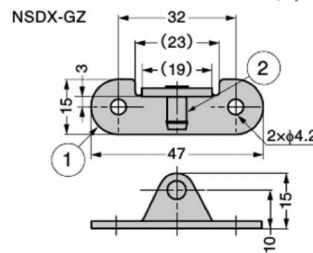
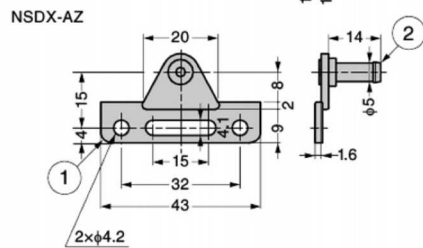
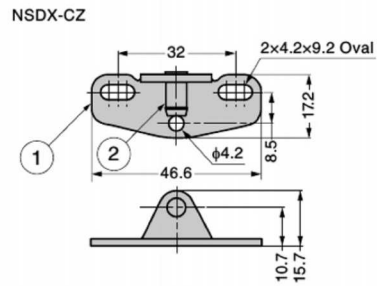
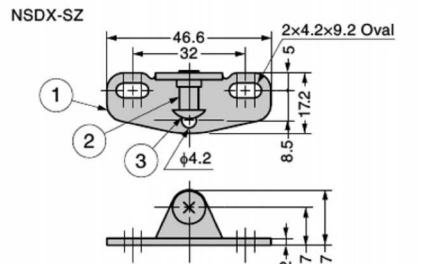


MOUNTING PLATE FOR NSDX NSDX-SZ, NSDX-CZ, NSDX-AZ, NSDX-GZ

- For quick installation of NSDX stay.
- Three types are available.



No.	Part Name	Material	Finish
①	Mounting Plate	Steel (SPCC)	Nickel
②	Shaft	Steel (SWCH)	
③	Truss Head Screw (M4×5)		

RoHS	CAD	Item Code	Item Name	Type	Weight (g)	Box (pcs)	Carton (pcs)
		180-109-032	NSDX-SZ	Screw on	14	160	640
		180-109-460	NSDX-CZ	Clip-on	13	160	640
		180-109-019	NSDX-AZ	Clip-on for 20 mm Aluminium Frame	11	320	1280
		180-109-459	NSDX-GZ	Clip-on for Glass Door	14	160	640

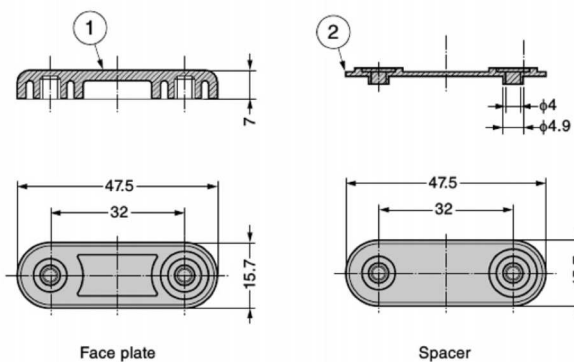
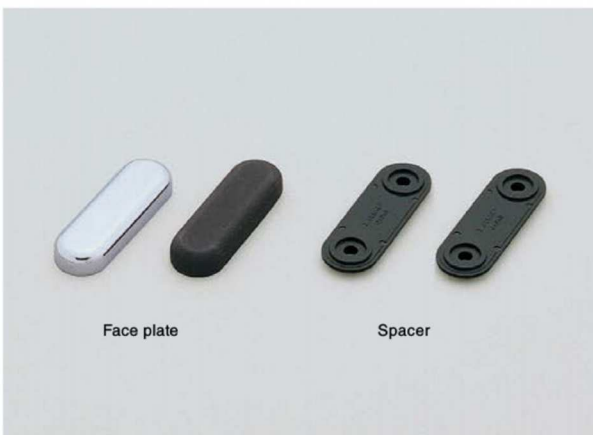
SDS FACE PLATE AND SPACER FOR GLASS DOOR SDS-50G



- Glass door face plate for SDS and NSDX.

[Parts Included]

- Countersunk head screw M4×14 (2 pcs)



No.	Part Name	Material	Finish	Carton
①	Face Plate	Zinc Alloy (ZDC)	Chrome (CR), Black (BL)	1 pc
②	Spacer	ABS	Black	2 pcs

RoHS	CAD	Item Code	Item Name	Weight (g)	Box (pcs)	Carton (pcs)
		180-100-260	SDS-50G-CR	25	50	200
		180-928-046	SDS-50G-BL		50	200