

## 2-WAY ADJUSTABLE PIVOT HINGE



PH-01



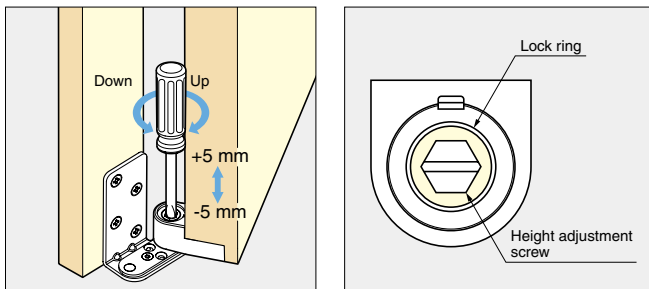
### Features

- Hinge position adjustable without removing door.
- Sold in pairs (for top and bottom).

### Parts Included

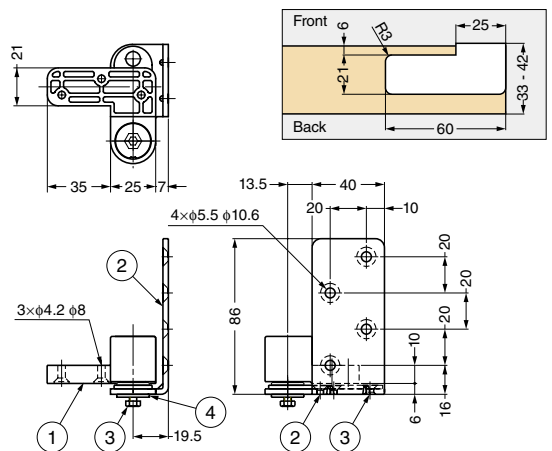
Countersunk head tapping screw 4x30

### Vertical Adjustment

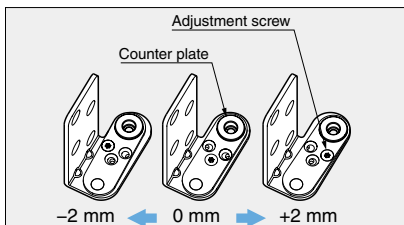


1. Remove the cover cap.
2. Loosen hex lock ring.
3. Adjust by turning slotted screw.
4. Tighten hex lock ring.
5. Put the cover cap.

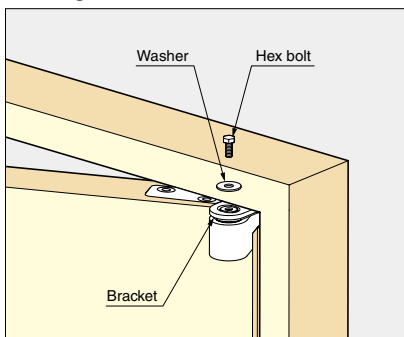
### Cut Out Dimensions



### Lateral Adjustment

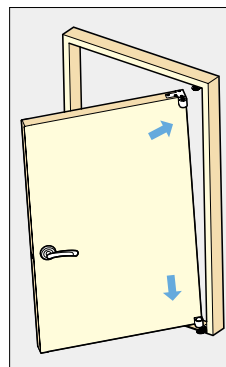


### Locking Mechanism



Hex bolt holds the door and prevents the door falling off unexpectedly.

### Door Installation



1. Insert bottom hinge to the bracket.
2. Install door while pushing the shaft of upper hinge.
3. Secure to check the door is fixed with the frame.

No.	Part Name	Material	Finish/Colour
①	Body	Zinc Alloy (ZDC)	Matte Silver
②	Bracket	Stainless Steel (SUS304)	Polished
③	Hex Bolt	Stainless Steel (SUS304)	-
④	Washer	Stainless Steel (SUS304)	-
⑤	Cover	ABS	White

Item Code	Item Name	Door Width	Door Height	Door Thickness	Door Weight	Weight	Box	Carton
170-090-622	PH-01	Max. 850	Max. 2300	33 - 42	Max. 35 kg/pair	593 g	1 pair	20 pairs