

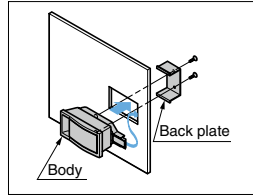
FLUSH SLAM LATCH LC-65A



[Application Example]



[Installation]



No.	Part Name	Material	Finish / Colour
①	Body	Aluminium Alloy	Silver
②	Latch Bolt	POM	White
③	Cover	Stainless Steel (SUS304)	Barrel Polished
④	Back plate		

RHS	CAD	Item Code	Item Name	Door Thickness	Weight (g)	Box (pcs)	Carton (pcs)
		140-050-206	LC-65A	2~3.2	108	10	100

- Pull paddle handle to open.
- Door will be latched when closed.
- Mounting screws are invisible from door surface.
- Easy installation. Insert the latch body through cut out section and simply screw-on the back plate.
- Latching margin: 5mm (Small R is required at the corners on the frame side)

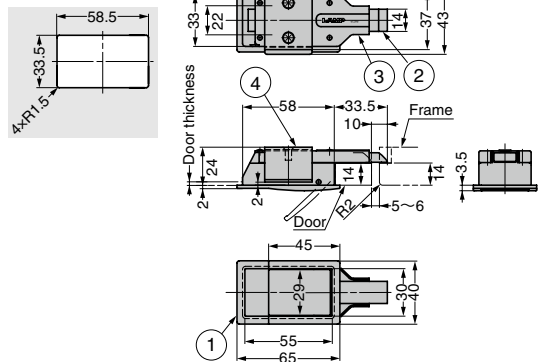
[Remarks]

- Please contact us when using other than the recommended door thickness.

[Parts Included]

- Pan head screw M4×8 (SUS)

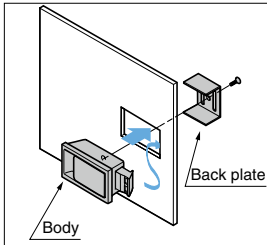
[Cut Out Dimensions]



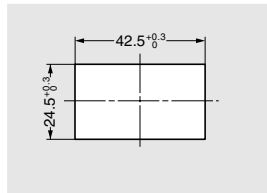
FLUSH SLAM LATCH LC-48



[Installation]



[Cut Out Dimensions]



No.	Part Name	Material	Finish / Colour
①	Body	Stainless Steel (SUS304)	Barrel Polished
②	Handle		
③	Latch	PBT (Glass Reinforced)	White
④	Back Plate	Stainless Steel (SUS304)	Barrel Polished

RHS	CAD	Item Code	Item Name	A	Total Catch Size B	Door Thickness C	Weight (g)	Box (pcs)	Carton (pcs)
		140-021-199	LC-48-3	3.5	3.2	1~1.6	35	40	400
		140-021-200	LC-48-5	5.1	4.6	1~2.3			

- Door will be latched when closed.
- Low profile eliminates worries about protruding to the inside of equipment.
- Mounting screws are invisible from door surface.
- UL94V-0 rated flame retardant material.
- Non-Handed. Can be installed on left or right side.
- Easy installation. Insert the latch body through cut out section and simply screw-on the back plate.

[Parts Included]

- Pan head screw M4×10 (SUS)

