

3-WAY ADJUSTABLE CONCEALED HINGE HES3D-V135LGR

INSTRUCTION



TORQUE HINGES

DAMPER HINGES

LIFT ASSIST HINGES

DETENT HINGES

CONCEALED HINGES

BUTT HINGES

PIANO HINGES

STEP HINGES

LIFT-OFF HINGES

PIVOT HINGES

SPRING HINGES

CLEAN ROOM HINGES

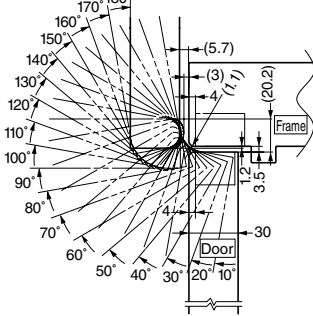
HINGES FOR ALUMINIUM FRAME

DROP HINGES

GLASS DOOR HINGES

SPECIAL HINGES

[Locus Chart]



Selection Tool



Hinge Selection

- Small bore depth for compact assembly.
- 3-way adjustment function allows vertical, horizontal, and depth adjustment after hinge installed.
- Easy installation: Hinge can be split into the door side and the frame side and has temporary door holding feature.

[Remarks]

- Our original new link arm mechanism provides different locus from other products 1 of the same series. Please confirm the position where the door is opened by 90° on the left figure.
- Can be used with Sugatsune door damper/door closer shown below. Please check and follow product specifications.
 - LAPCON DOOR DAMPER LDD-S 2
 - LAPCON DOOR DAMPER LDD-V 3
 - LAPCON DOOR CLOSER LDC-N2
- Using with other door closers might lead to hinge damage.
- For using Sugatsune door closer, please install the door holder separately at the stop position.

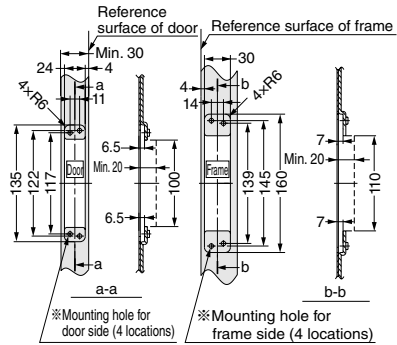
[Parts Included]

- Binding head tapping screw 5X15

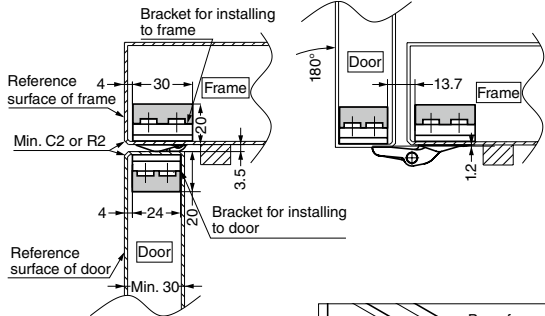
[Sold Separately]

- Installation template HES3D-V135-TMP 4

[Cut Out Dimensions]

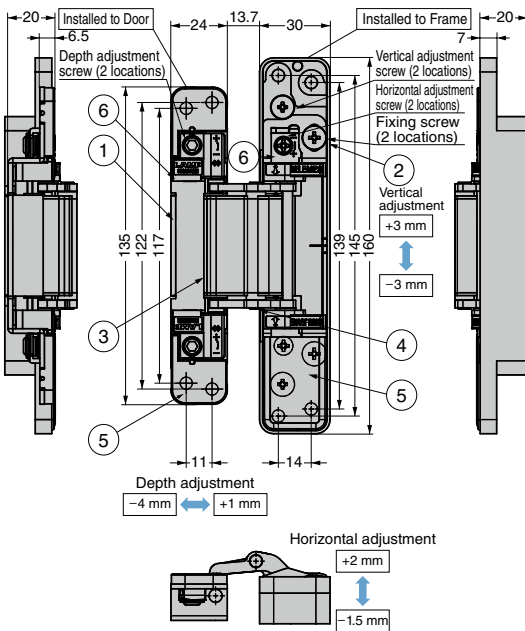
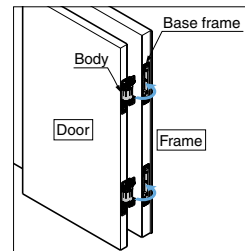


[Installation]



[Temporary Holding Feature]

1. Hinge can be split into the body and base frame. Install the body to the door and the base frame to the frame.
2. Push the hinge body horizontally into the base frame in the direction of the arrow. The door is held to the frame due to the temporary holding feature.
3. Temporarily tighten the fixing screws and adjust the door position.
4. After adjustment, tighten the fixing screws completely to fix the hinge body.



No.	Part Name	Material	Finish / Colour
①	Body	Steel	Nickel
②	Base Frame	POM	Light Grey
③	Arm	Aluminium Alloy	Anodised Silver
④	Shaft	Steel	Nickel
⑤	Cover	POM	Light Grey
⑥	Adjustment Block	Zinc Alloy (ZDC)	Nickel

RHS	CAD	Item Code	Item Name	Door Width	Door Height	Door Thickness	Frame Thickness	Door Weight kg/2 pcs	Door Weight kg/3 pcs	Opening Angle	Weight (g)	Box (pcs)	Carton (pcs)
3D		170-020-804	HES3D-V135LGR	Max. 900	Max. 2400	Min. 30	Min. 20	Max. 40	Max. 55	180°	400	2	24

Refer to 1 : P.153, 2 : P.536, 3 : P.532, 4 : P.167