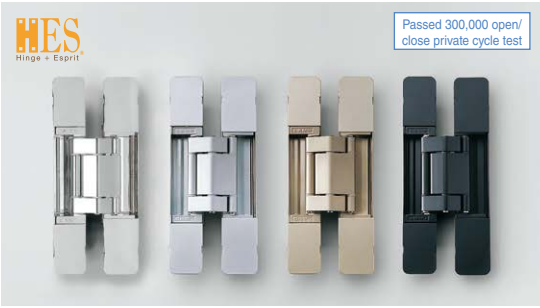


3-WAY ADJUSTABLE CONCEALED HINGE HES3D-E190



- Max. Door Weight: 100kg with 2 pcs, 125kg with 3 pcs.
- Small bore depth for compact assembly.
- 3-way adjustment function allows vertical, horizontal, and depth adjustment after hinge installed.
- Easy installation: Hinge can be split into the door side and the frame side and has temporary door holding feature.
- Order-made colour available.

TORQUE HINGES

DAMPER HINGES

LIFT ASSIST HINGES

DETENT HINGES

CONCEALED HINGES

BUTT HINGES

PIANO HINGES

STEP HINGES

LIFT-OFF HINGES

PIVOT HINGES

SPRING HINGES

CLEAN ROOM HINGES

HINGES FOR ALUMINIUM FRAME

DROP HINGES

GLASS DOOR HINGES

SPECIAL HINGES

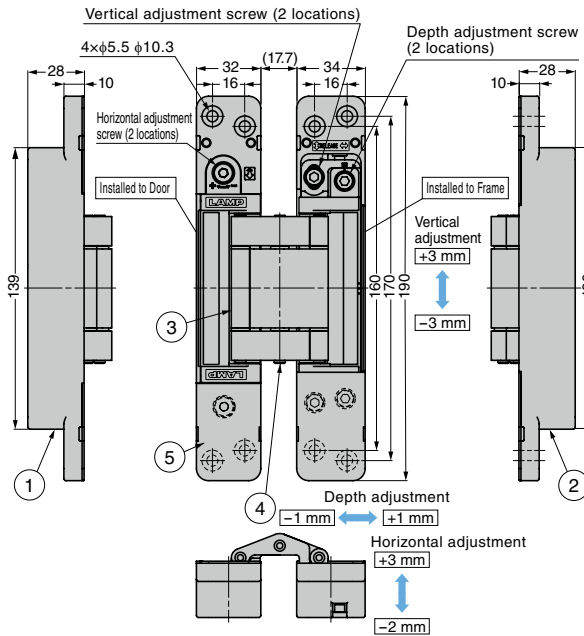
[Parts Included]

- Countersunk head tapping screw 5×30 (8 pcs/hinge) SUS
- Hex key 4

[Sold Separately]

- Installation template HES3D-E190-TMP 3
- ※ Can be reused, so door and frame can be easily cut out with a router.

Figure below shows the state with the upper screw covers removed.

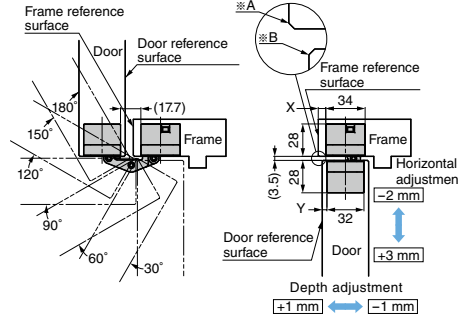


[Remarks]

- Can be used with Sugatsune door damper/door closer shown below. Please check and follow product specifications.
 - LAPCON DOOR DAMPER LDD-S 1
 - LAPCON DOOR DAMPER LDD-V 2
 - LAPCON DOOR CLOSER LDC-N2
- Using with other door closers might lead to hinge damage.
- For using Sugatsune door closer, please install it separately at the stop position.

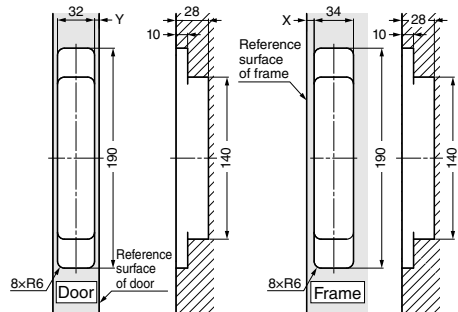
[Locus Chart]

Please process the part (corner of door/frame) of ※ marked on the drawing to C1 or more (or R1 or more).



Y: Door machining margin	B: Door chamfering	X: Frame machining margin	A: Frame chamfering
4 and under	1	6.5 and under	1
	2	7 and under	2
5	3	8	3
		6.5 and under	2
	7	3	
		8	4

[Cut Out Dimensions]



No.	Part Name	Material	Finish / Colour			
			DC	DN	BL	NI
①	Body	Zinc Alloy (ZDC)				
②	Base Frame		Satin Chrome	Satin Nickel	Black	Nickel
③	Arm	Aluminium Alloy				
④	Shaft	Stainless Steel	Plain	Plain	Plain	Plain
⑤	Cover (2 pairs)	ABS	Silver	Champagne Gold	Black	Nickel

Selection Tool



Hinge Selection

Video Link



Video Link



RtS	CAD	Item Code	Item Name	Colour	Door Specs					Opening Angle	Weight (g)	Box (pcs)	Carton (pcs)
					Width	Height	Thickness	Weight kg/2pcs	Weight kg/3pcs				
☑	3D	170-025-498	HES3D-E190DC	Silver	Max. 900	Max. 2400	Min. 38	Max. 100	Max. 125	180°	1100	2	12
☑	3D	170-025-499	HES3D-E190DN	Champagne Gold									12
☑	3D	170-025-539	HES3D-E190BL	Black									12
☑	3D	170-033-568	HES3D-E190NI	Nickel									12

Refer to 1 : P.536, 2 : P.532, 3 : P.167