

3-WAY ADJUSTABLE CONCEALED HINGE HES3D-120



- Small bore depth for compact assembly.
- Black colour is newly launched.
- 3-way adjustment function allows vertical, horizontal, and depth adjustment after hinge installed.
- Easy installation: Hinge can be split into the door side and the frame side and has temporary door holding feature.
- Order-made colour available.

[Remarks]

- Can be used with Sugatsune door damper/door closer shown below. Please check and follow product specifications.
 - LAPCON DOOR DAMPER LDD-S **1**
 - LAPCON DOOR DAMPER LDD-V **2**
 - LAPCON DOOR CLOSER LDC-N2
- Using with other door closers might lead to hinge damage.
- We do not recommend to use with concealed door closer.
- When used in combination with door restrictors, please use HES3D-120-A100 instead. (New product catalogue page: F22)

[Parts Included]

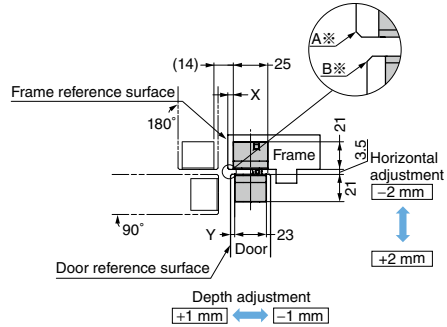
- Countersunk head tapping screw 5×20 (4 pcs/hinge) SUS
- Hex key 3
- Cutout template

[Sold Separately]

- Installation template HES3D-120-TMP **3**
 - ※ Can be reused, so door and frame can be easily cut out with a router.

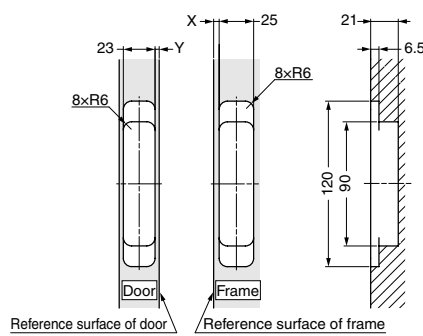
[Locus Chart]

Please process the part (corner of door/frame) of ※ marked on the drawing to C1 or more (or R1 or more).



Y: Door machining margin	B: Door chamfering	X: Frame machining margin	A: Frame chamfering
4 and under	1	5 and under	1
	2	6	2
		7	
5	3	5 and under	3

[Cut Out Dimensions]

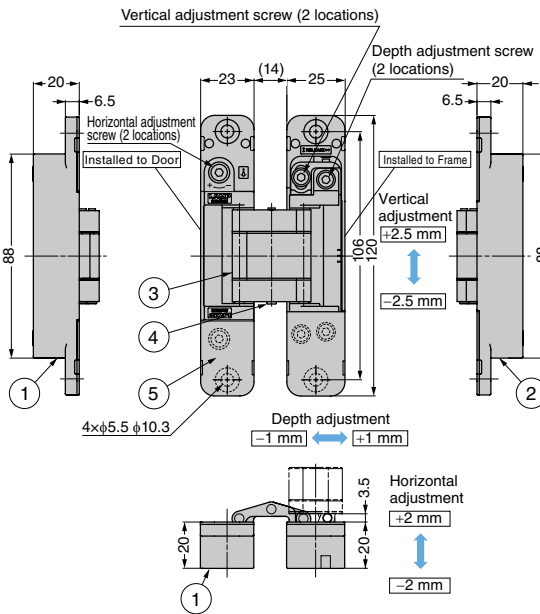


Selection Tool

Hinge Selection

Video Link

Figure below shows the state with the upper screw covers removed.



No.	Part Name	Material	Finish / Colour		
			DC	DN	BL
①	Body	Zinc Alloy (ZDC)	Satin Chrome	Dull Nickel	Black Enamel Finish
②	Base Frame				
③	Arm				
④	Shaft	Stainless Steel	-	-	-
⑤	Cover (2 pairs)	ABS	Satin Chrome	Satin Nickel	Black

RHS	CAD	Item Code	Item Name	Colour	Door Width	Door Height	Door Thickness	Door Weight kg/2 pcs	Door Weight kg/3 pcs	Opening Angle	Weight (g)	Box (pcs)	Carton (pcs)
		170-022-086	HES3D-120DC	Silver	Max. 900	Max. 2400	Min. 29	Max. 30	Max. 40	180°	410	2	24
		170-022-087	HES3D-120DN	Champagne Gold							415	2	24
		170-022-088	HES3D-120BL	Black							403	2	12

Refer to **1** : P.536, **2** : P.532, **3** : P.167