

HEAVY DUTY SOFT-DOWN STAY HDS-30 For Use in Pairs



LIFT ASSIST STAYS

SOFT CLOSING STAYS

TORQUE STAYS

HEAVY DUTY LOCKING STAYS

FOOT STAYS

LID STAYS

OTHER STAYS

TOP-OPENING

DOWNWARD-OPENING

UPWARD-OPENING

BOTTOM-OPENING

SWING DOOR

LIFT-UP

LIFT-DOWN

UP & OVER

BI-FOLDING

OVER THE TOP

Opening Direction	Description	Non-handed	Model	Maximum Door Moment
Upward-opening	With Catch For Use in Pairs	-	K	13.7~19.5 N·m/2 pcs (140~199 kgf·cm/2 pcs)
			M	19.6~24.4 N·m/2 pcs (200~249 kgf·cm/2 pcs)
			H	24.5~29.4 N·m/2 pcs (250~300 kgf·cm/2 pcs)

- For upward-opening doors.
- Designed to hold the door in fully opened and closed positions.
- For door hinge, piano/butt hinge or concealed hinge is suitable.
- AS parts set **1** for installing to aluminium frame also available.

[Applicable Range]

- Choose from 3 types according to maximum door moment.
Maximum door moment (N·m) = Door weight (kg) × 9.80665 × Distance from rotation centre to door centre of gravity (m)

Maximum door moment N·m	Model	Qty
13.7~19.5	K	2 pcs
19.6~24.4	M	
24.5~29.4	H	

[Specifications]

- Operating temperature: 0°C~40°C

[Remarks]

- Be sure to read the "Cautions" **2**.
- Used in pairs.
- Do not push the door further over 80°. And do not roughly open and close the door.

[Parts Included]

- Mounting plate
- Binding head tapping screw 3.5×15

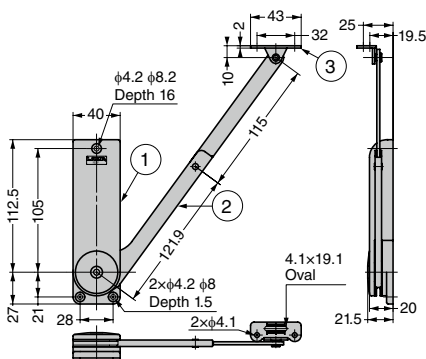
Video Link



Selection Tool

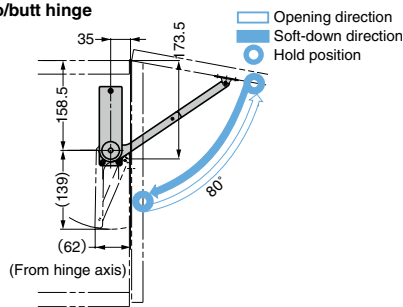


Sasuga-kun

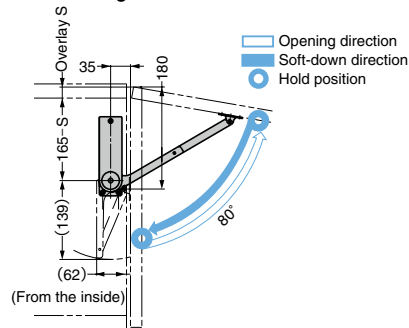


[Installation] Right side installation for upward-opening 80°. Left side installation is symmetrical.

With piano/butt hinge



With concealed hinge



RHS	CAD	Item Code	Item Name	Type	Material	Finish/Colour	Model	Maximum Door Moment N·m/2 pcs	Maximum Door Moment kgf·cm/2 pcs	Weight (g)	Box (pcs)	Carton (pcs)
		180-104-078	HDS-30KR-BL	Right-handed	ABS/Steel	Nickel/Black	K	13.7~19.5	140~199	276	40	-
		180-104-079	HDS-30KL-BL	Left-handed		Nickel/Black				276	40	-
		180-109-270	HDS-30KR-WT	Right-handed		Nickel/White	M	19.6~24.4	200~249	276	40	-
		180-109-271	HDS-30KL-WT	Left-handed		Nickel/White				276	40	-
		180-104-080	HDS-30MR-BL	Right-handed		Nickel/Black	H	24.5~29.4	250~300	294	40	-
		180-104-081	HDS-30ML-BL	Left-handed		Nickel/Black				294	40	-
		180-109-272	HDS-30MR-WT	Right-handed		Nickel/White	H	24.5~29.4	250~300	294	40	-
		180-109-273	HDS-30ML-WT	Left-handed		Nickel/White				294	40	-
		180-104-082	HDS-30HR-BL	Right-handed		Nickel/Black	H	24.5~29.4	250~300	300	40	-
		180-104-083	HDS-30HL-BL	Left-handed		Nickel/Black				300	40	-
		180-109-274	HDS-30HR-WT	Right-handed		Nickel/White	H	24.5~29.4	250~300	300	40	-
		180-109-275	HDS-30HL-WT	Left-handed		Nickel/White				300	40	-

Refer to **1** : P.357, **2** : P.293