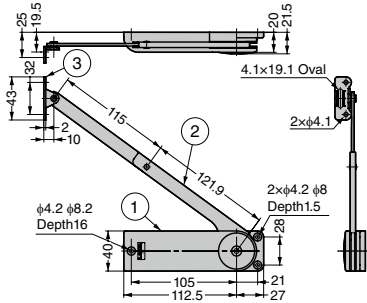


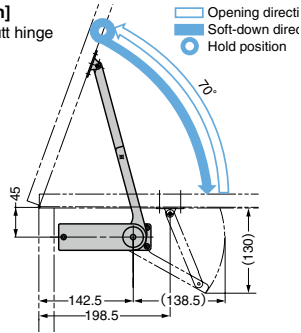
HEAVY DUTY SOFT-DOWN STAY HDS-20 For Use in Pairs



No.	Part Name	Material	Finish/Colour
①	Body	ABS	Black, White
②	Arm	Steel (SPCC)	Nickel
③	Mounting Plate		

[Installation]

with piano/butt hinge



*Top-opening 70° and right side installation. Left side installation is symmetrical.

Opening	Description	Non-handed	Model	Max. door moment
 Top-opening	With Catch	-	K	13.7~19.5 N·m/2 pcs (140~199 kgf·cm/2 pcs)
			M	19.6~24.4 N·m/2 pcs (200~249 kgf·cm/2 pcs)
	H		24.5~29.4 N·m/2 pcs (250~300 kgf·cm/2 pcs)	
	XH		39~41 N·m/2 pcs (397~418 kgf·cm/2 pcs)	

- For top-opening doors.
- Designed to hold the door in fully opened position.
- For door hinge, piano/butt hinge or concealed hinge is suitable.
- AS parts set **1** for installing to aluminium frame also available.

[Specifications]

- Operating temperature: 0°C~40°C

[Remarks]

- Be sure to read the "Cautions" **2**.
- Used in pairs.
- Do not push the door up more than opening angle 7°.
- Do not roughly open and close the door.

[Parts Included]

- Mounting plate
- Binding head tapping screw 3.5×15

[Applicable Range]

- Max. door moment (N·m) = Door weight (kg)×9.80665× Distance from rotation centre to door centre of gravity (m)

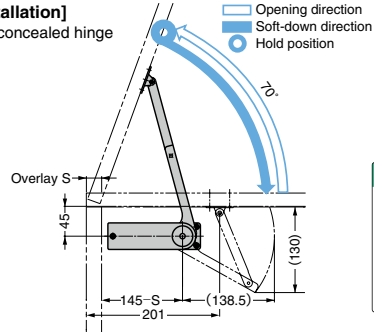
Maximum door moment N·m	Model	Qty
13.7~19.5	K	2 pcs
19.6~24.4	M	
24.5~29.4	H	
39~41	XH	

Video Link



[Installation]

with concealed hinge



Selection Tool



Sasuga-kun

RoHS	CAD	Item Code	Item Name	Type	Material	Finish/Colour	Model	Maximum Door Moment N·m/2 pcs	Maximum Door Moment kgf·cm/2 pcs	Weight (g)	Box (pcs)	Carton (pcs)		
G	3D	180-109-237	HDS-20KL-BL	Left-handed	ABS/ Steel	Nickel/Black	K	13.7~19.5	140~199	284	40	40		
		180-109-236	HDS-20KR-BL	Right-handed						282	40	40		
G	3D	180-109-243	HDS-20KL-WT	Left-handed		Nickel/White	K	13.7~19.5	140~199	310	40	40		
		180-109-242	HDS-20KR-WT	Right-handed						283	40	40		
G	3D	180-109-239	HDS-20ML-BL	Left-handed		ABS/ Steel	Nickel/Black	M	19.6~24.4	200~249	288	40	40	
		180-109-238	HDS-20MR-BL	Right-handed							289	40	40	
G	3D	180-109-245	HDS-20ML-WT	Left-handed			Nickel/White	M	19.6~24.4	200~249	288	40	40	
		180-109-244	HDS-20MR-WT	Right-handed							288	40	40	
G	3D	180-109-241	HDS-20HL-BL	Left-handed			ABS/ Steel	Nickel/Black	H	24.5~29.4	250~300	297	40	40
		180-109-240	HDS-20HR-BL	Right-handed								297	40	40
G	3D	180-109-247	HDS-20HL-WT	Left-handed				Nickel/White	H	24.5~29.4	250~300	299	40	40
		180-109-246	HDS-20HR-WT	Right-handed								299	40	40
G	3D	180-043-093	HDS-20XHL-BL	Left-handed	ABS/ Steel			Nickel/Black	XH	39~41	397~418	-	40	40
		180-043-094	HDS-20XHR-BL	Right-handed								-	40	40
G	3D	180-043-095	HDS-20XHL-WT	Left-handed				Nickel/White	XH	39~41	397~418	-	40	40
		180-043-096	HDS-20XHR-WT	Right-handed								-	40	40

Refer to **1** : P.321, **2** : P.293