

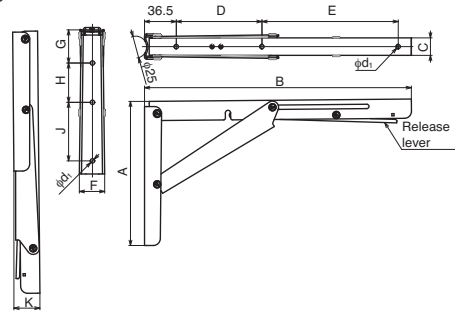
FOLDING BRACKET EB

LOAD CAPACITY 200 kgf

NSF SUS



- Automatically locks when flap is in opened position.
- Press lever to release the lock.
- Bracket with hinge function in one unit.



RECESSED HOOKS

LATCH HOOKS

SWING HOOKS

Item Name	A	B	C	D	E	F	G	H	J	K	d ₁
EB-200/EP	116	201	20	155	—	29	21	80	—	28.5	5
EB-303/EP	165	307		98	156	—	38	45	67	—	—
EB-317/EP	171	318.5	24	—	—	36	—	—	—	30	6

SMALL HOOKS

LARGE HOOKS

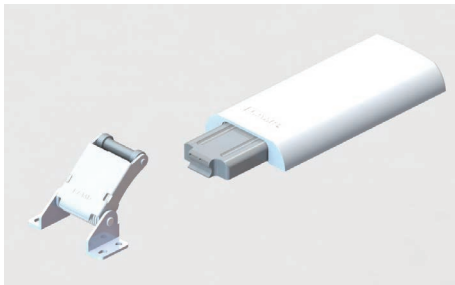
PANEL HANGER

RHS	CAD	Item Code	Old Item Code	Item Name	Old Item Name	Material	Finish	Load Capacity N	Load Capacity kgf	Weight (g)	Box (pcs)
		120-039-843	120-041-277	EB-200	EB-200/EP	Stainless Steel (SUS304)	Mirror	555	56	332	20
		120-048-895	—	EB-200-BL	—	Stainless Steel (SUS304)	Black	555	56	332	20
		120-039-844	120-018-226	EB-303	EB-303/EP	Stainless Steel (SUS304)	Mirror	495	50	500	20
		120-048-896	—	EB-303-BL	—	Stainless Steel (SUS304)	Black	495	50	500	20
		120-039-845	120-041-278	EB-317	EB-317/EP	Stainless Steel (SUS304)	Mirror	1080	110	750	20
		120-048-897	—	EB-317-BL	—	Stainless Steel (SUS304)	Black	1080	110	750	20

*The item names have been changed. The new version will come with an end cap and back plate.

BRACKETS & SHELVING SYSTEMS

DAMPER FOR EB FOLDING BRACKET EBD



- Designed for EB folding bracket.
- Lapcon mechanism prevents shelf from sudden drop.
- Installation position can be easily determined with the supplied template.

[Remarks]

- Make sure to have sufficient mounting surface strength.
- Please completely close shelf board with hands.
- Shelf board must be assembled to the arm with release lever.

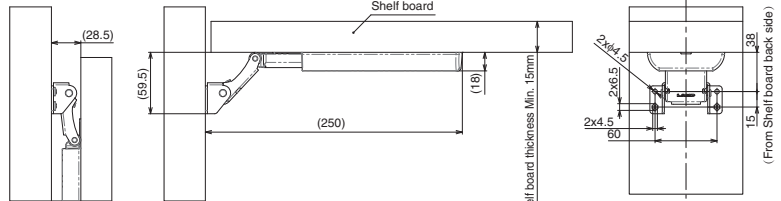
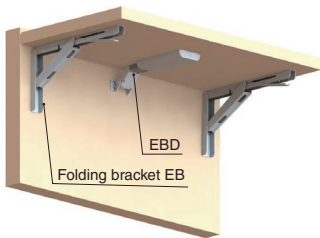
[Parts Included]

- Binding head tapping screw 4×16
- Template

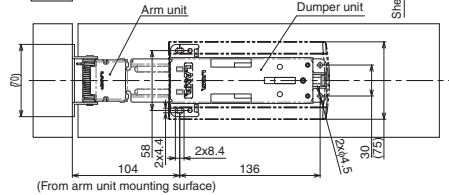
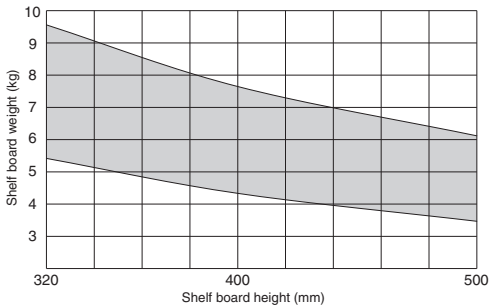
[Sold Separately]

- Folding bracket EB

[Application Example]



[Shelf board Size Range]



RHS	CAD	Item Code	Item Name	Material	Finish	Maximum Door Moment N·m	Maximum Door Moment kgf·cm	Flap thickness	Weight (g)	Box (pcs)	Carton (pcs)
		120-034-867	EBD	ABS/POM/Steel	Off-White/Zinc/Chrome	8.5-15	86.7-153.0	Min. 15	400	1	20