

# GUIDE FOR MULTI-PURPOSE LID AZ-SLP

SUS



● Guides garbage into waste box inside.

BEARINGS

SWIVELS

MULTI-PURPOSE LIDS

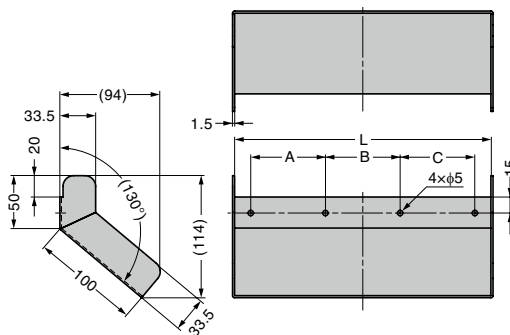
VENTILATORS

MULTI-PURPOSE CAPS

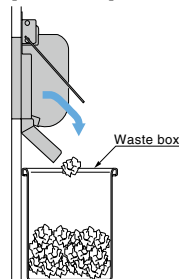
GROMMETS

CABLE GROMMETS

## [Application Example]



## [Installation]



GASKET

BELT REEL PARTITION

GLASS POINT FIX

OTHERS

LED LIGHTS

# MULTI-PURPOSE LID (W/HANDLE) AZ-HD

INSTRUCTION

SUS

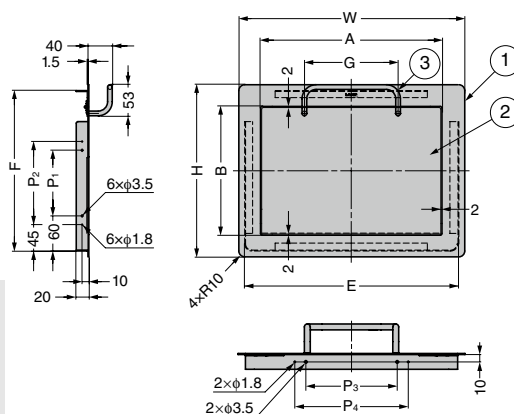
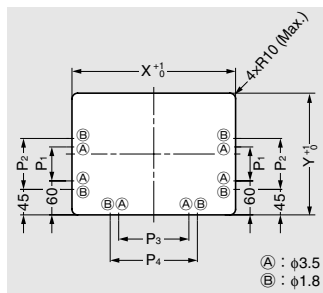


● Pushing down the handle to open.  
● Corrosion resistant.

## [Cut Out Dimensions]



Easy to open/close with handle.



No.	Part Name	Material	Finish
①	Front Plate	Stainless Steel	Satin
②	Door	Steel	Satin
③	Handle	(SUS304)	Satin

RoHS	CAD	Item Code	Item Name	Material	Finish	A	B	W	H	E	F	G	P <sub>1</sub>	P <sub>2</sub>	P <sub>3</sub>	P <sub>4</sub>	X	Y	Weight (g)	Box (pcs)	Carton (pcs)
-	3D	210-180-601	AZ-HD230-HL	Stainless Steel	Satin	234	160	308	234	288	214	120	60	90	124	154	289	215	540	1	10
-	3D	210-180-602	AZ-HD310-HL	(SUS304)	Satin	310	220	384	294	364	274	160	112	142	200	230	365	275	2200	5	10