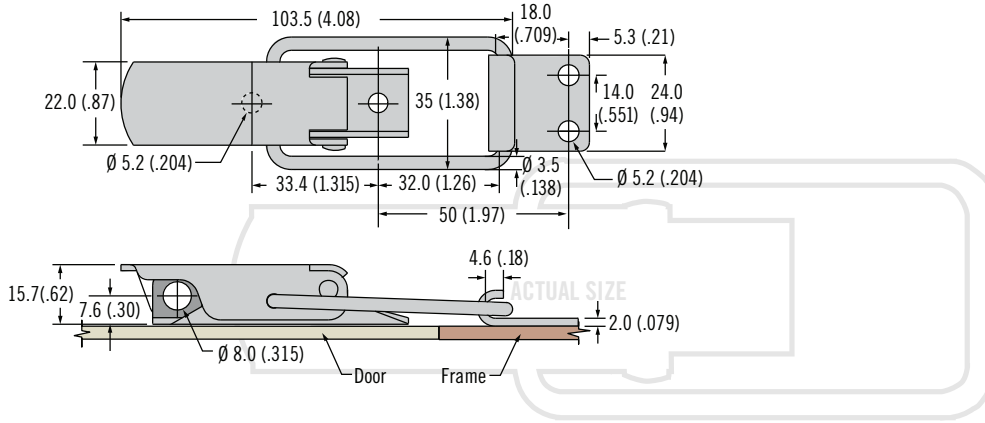


TL Draw Latch

Over-center · Large · Wire bail



Description	Part Number	
	Steel	Stainless Steel
Latch	TL-50-201-07	TL-50-201-52
Keeper	TL-17-501-07	TL-17-501-52

• Robust construction

Material and Finish

Stainless steel or steel, zinc plated

Performance Details

Working load: 2490 N (560 lbf)

Installation Notes

Install assembly with M5 (No. 10) round head screws (not supplied) or 5 (.196) rivets.

Part Number

See table

Order latch and keeper separately

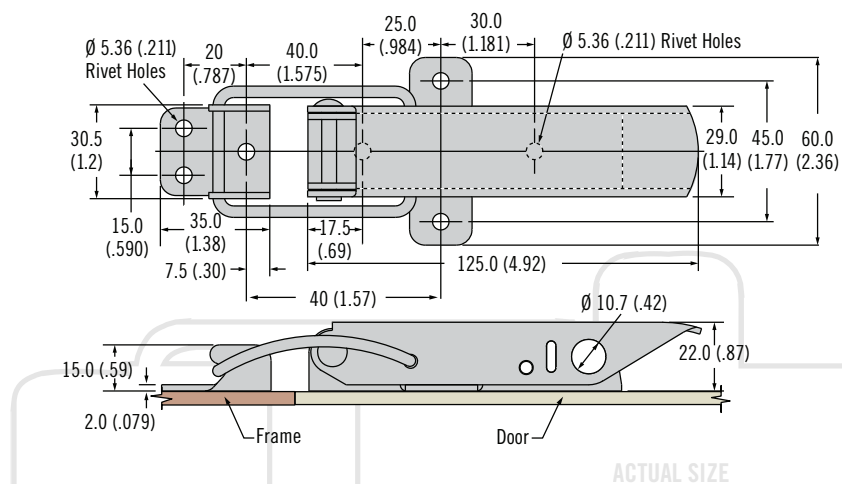
Other options available. For complete details on variety, part numbers, installation and specification, go to



www.southco.com/TL

TL Draw Latch

Over-center · Heavy-duty · Wire bail



Description	Part Number
Draw Latch	TL-60-102-07
Keeper	TL-17-601-07

• Robust construction

Material and Finish

Steel, zinc plated

Performance Details

Working load: 2670 N (600 lbf)

Installation Notes

Install assembly with M5 (No. 10) round head screws (not supplied) or 5 (.196) rivets

Part Number

See table

Order latch and keeper separately

Other options available. For complete details on variety, part numbers, installation and specification, go to



www.southco.com/TL