



ST-4A , ST-5A, ST-10P Hinge

Position control · Constant torque

- Smooth consistent operation
- Compact design fits the smallest applications
- Never requires adjustment

Material and Finish

Aluminum, zinc alloy and steel, natural

Performance Details

Cycle performance:

20,000 cycles, see trade drawing at southco.com for details

ST-4A

Radial load:

Maximum static load:

200 N (45 lbf)

ST-5A

Radial load:

Maximum static load:

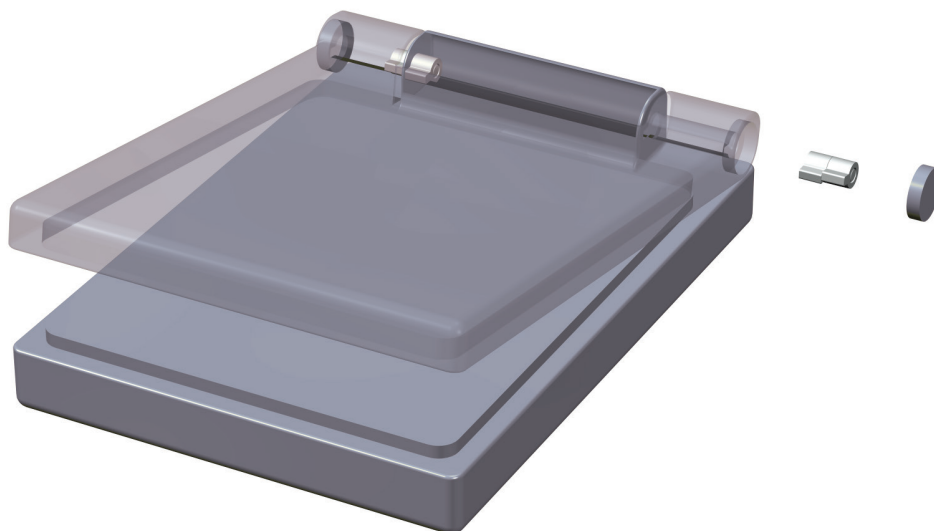
223 N (50 lbf)

ST-10P

Radial load:

Maximum static load:

400N



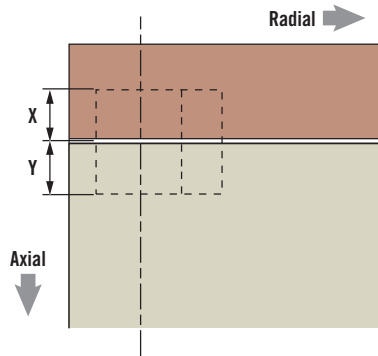
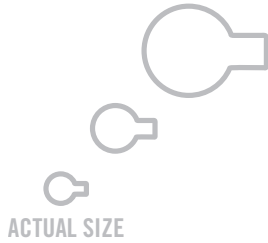
Part Number

See table

Part Number	Static Torque		X	Y
	Forward N·m (in·lbf)	Reverse N·m (in·lbf)		
ST-4A-3S-33	0.03 (0.3)		3.5 (.14)	3.5 (.14)
ST-4A-8S-33	0.08 (0.75)		9.5 (.37)	9.5 (.37)
ST-5A-10S-33	0.11 (1.0)		4.15 (.163)	7.4 (.291)
ST-5A-16S-33	0.18 (1.6)			
ST-5A-23S-33	0.26 (2.3)			
ST-5A-30S-33	0.34 (3.0)			
ST-10P-040S-33	0.45 (4)		9 (.35)	20.5 (.81)
ST-10P-080S-33	0.9 (8)			
ST-10P-100S-33	1.13 (10)			
ST-10P-140S-33	1.58 (14)			
ST-10P-040R-33	0.32 (2.8)	0.45 (4)		
ST-10P-080R-33	0.63 (5.6)	0.9 (8)		
ST-10P-120R-33	0.95 (8.4)	1.36 (12)		
ST-10P-160R-33	1.27 (11.2)	1.81 (16)		
ST-10P-040F-33	0.45 (4)	0.32 (2.8)		
ST-10P-080F-33	0.9 (8)	0.63 (5.6)		
ST-10P-120F-33	1.36 (12)	0.95 (8.4)		
ST-10P-160F-33	1.81 (16)	1.27 (11.2)		

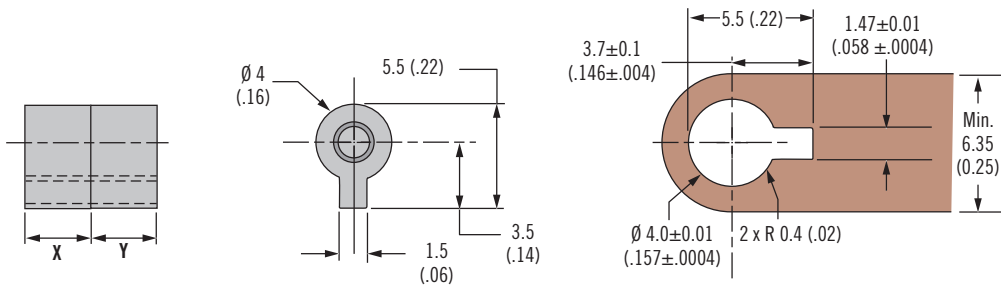
ST-4A, ST-5A, ST-10P Hinge

Position control · Constant torque

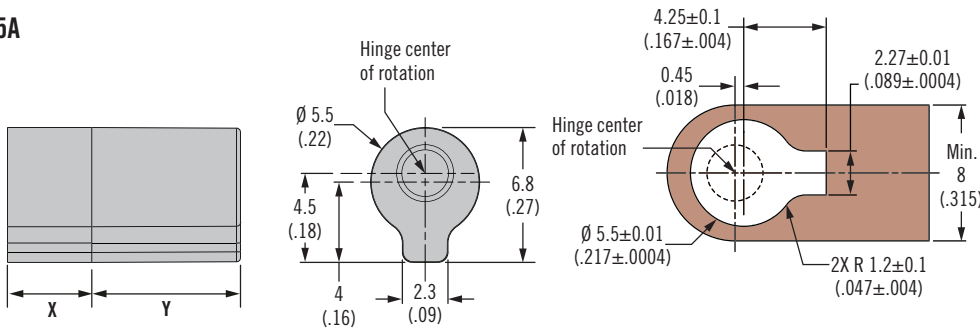


- Smooth consistent operation
- Compact design fits the smallest applications
- Never requires adjustment

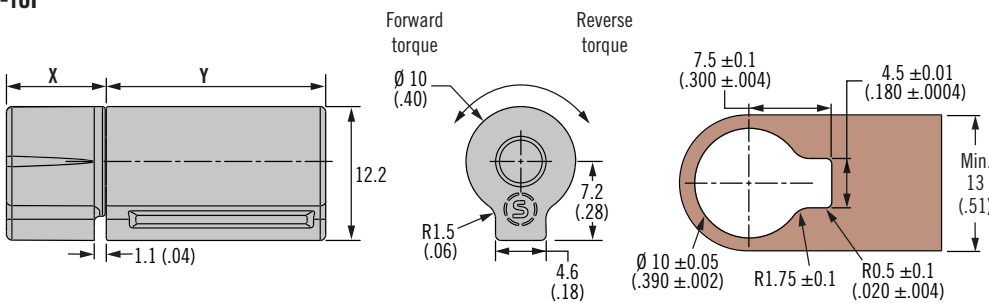
ST-4A



ST-5A



ST-10P



Part Number

See table