



## R6 Hinge

Concealed · 180° Opening

- Invisible when door is closed
- Door-stay for horizontal door & lid applications
- Corrosion-resistant materials available

### Material and Finish

Steel, zinc plated, or stainless steel

### Performance Details

#### Zinc Plated Steel

Radial load:

Max. static load: 485 N (109 lbf)

Average ultimate load:

710 N (160 lbf)

Axial load:

Max. static load: 100 N (23 lbf)

Average ultimate load:

295 N (66 lbf)

Max. holding torque:

11.8 N·m (104 in·lbf)

#### Stainless Steel

Radial load:

Max. static load: 505 N (114 lbf)

Average ultimate load:

1085 N (244 lbf)

Axial load:

Max. static load: 165 N (37 lbf)

Average ultimate load:

345 N (78 lbf)

Operating temperature range:

-40° C (-40° F) to 85° C (185° F)

### Installation Notes

Screws not supplied.

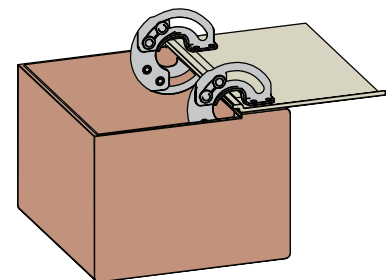
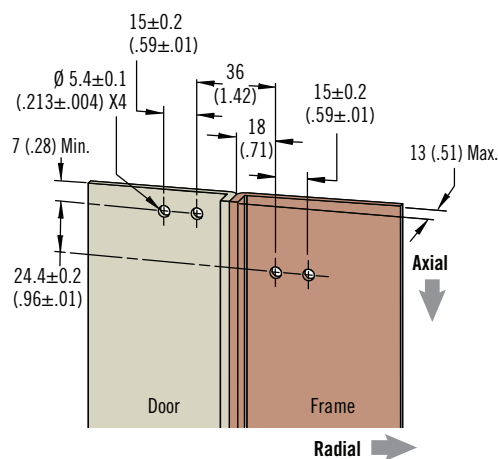
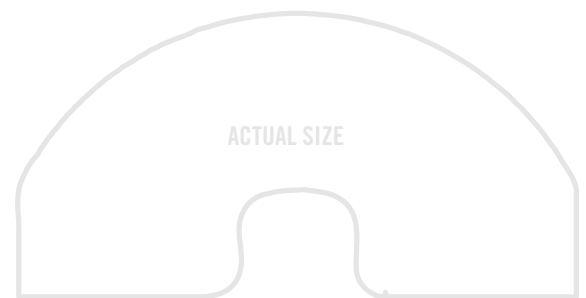
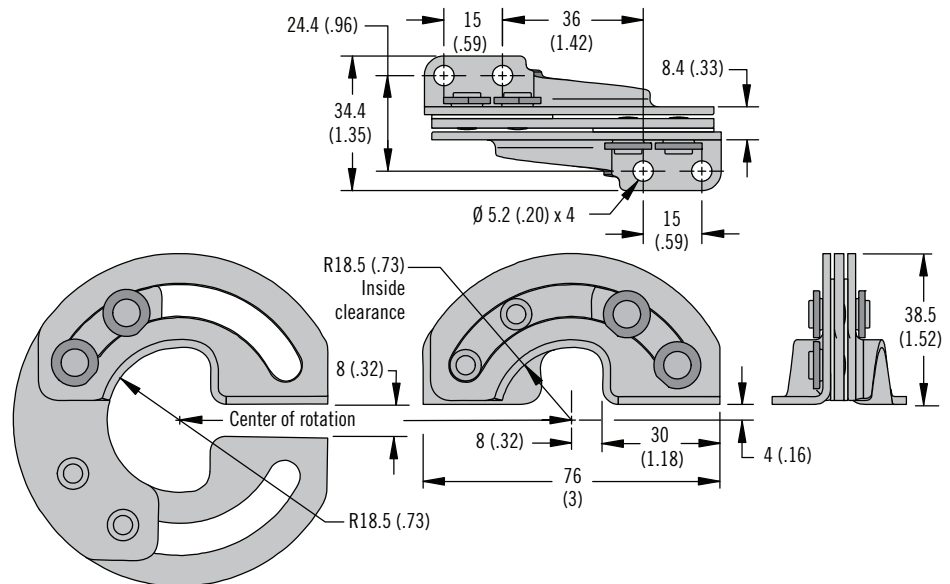
Install using M5 (No. 10) screws or by welding.

Maximum panel thickness is

4 (.16)

### Part Number

See table



Part Number	
Steel	R6-20-11
Stainless steel	R6-20-23

Dimensions in millimeters (inch) unless otherwise stated



[www.southco.com/R6](http://www.southco.com/R6)

**southco**  
CONNECT · CREATE · INNOVATE