



R4-EM 5 & 7 Series Electronic Rotary Latch

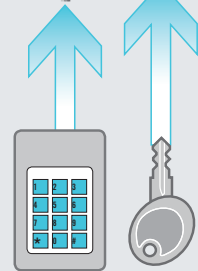
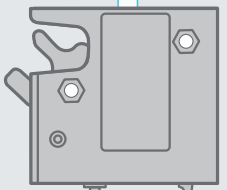
Sealed motor · Stainless steel housing option
Electronic access with internal motor control



12V

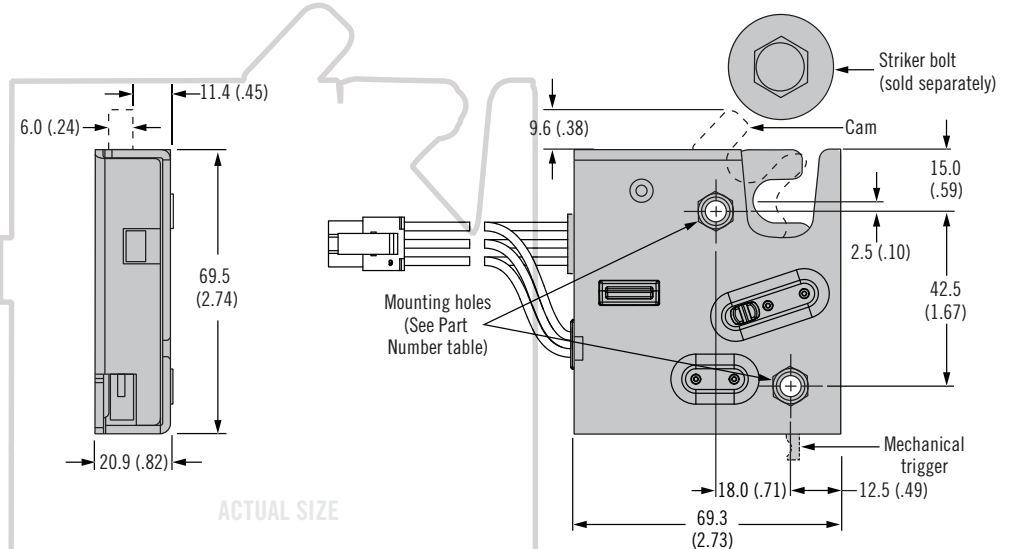
24V

- Motor actuator sealed against water and dust ingress to IP56
- Corrosion resistant plated-steel and stainless steel options
- Push-to-close, electronic release
- Versatile rotary mechanism
- Concealed latching
- Microprocessor control
- Auto or delayed relock functionality
- Minimal power draw
- Optional internal micro-switch for latch status
- Simple mechanical over-ride

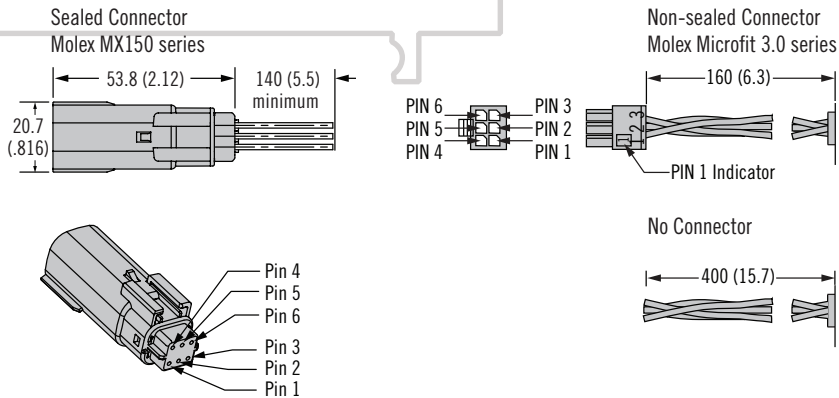


Other options available. For complete details on variety, part numbers, installation and specification, go to

INFO CLIC www.southco.com/R4-EM



Latch Wiring Connections



Part Number Selection

R4 - EM - T B A - 1 S C - P M

- T Trigger Style**
 - 5 Auto re-lock, side trigger, with kick-out spring
 - 7 Delayed re-lock, side trigger, with light spring
 - R5 Auto re-lock, rear trigger, with kick-out spring
 - R7 Delayed re-lock, rear trigger, with light spring
- B Base Mounting Style**
 - 1 1/4-20 thread
 - 2 M6 thread
 - 3 Ø 7.0 (.27) thru hole
- A Alternate Configurations**
 - None Standard configuration
 - 2 Strong (kick out) cam spring (delayed relock)
 - 3 High strength cam (steel cam only) **M = none only**
 - 4 High strength cam with strong (kick out) cam spring (delayed relock, steel cam only) **M = none only**
- M Material Options**
 - None Steel, zinc-nickel plated
 - B Stainless steel, passivated
 - A = none or 2**
- P Packaging Options**
 - None Individually packaged
 - 1 Bulk packaged
- C Connector Options**
 - 1 Non-sealed connector
 - 2 No connector (stripped and tinned)
 - 3 Sealed connector
- S Switch Options**
 - 3 No switch
 - 6 Internal latch status switch

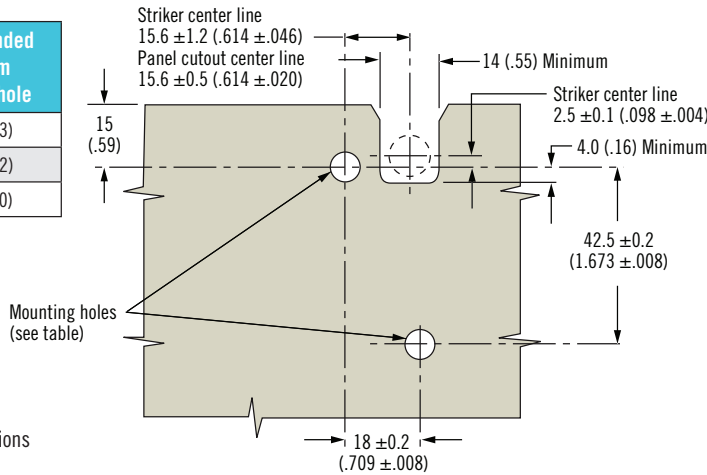
Dimensions in millimeters (inch) unless otherwise stated



Installation

Panel Preparation

Base Mounting Style	Recommended minimum mounting hole
1/4-20 thread	Ø 7.2 (.283)
M6 thread	Ø 6.9 (.272)
Thru hole	Ø 7.6 (.300)



Operation

See page 34 for operating instructions

Accessories

Striker Bolt or Cast Striker

See page 35



Cable Mounting Kit

See page 35



Material & Finish

Mechanism

Housing, Cam, Trigger, Pins: Zinc

nickel plated steel or stainless steel

Springs: 300 Series stainless steel

Electronic Actuator

Housing: PC/ABS

Bellows, Wire seal: Silicone

Perimeter Seal: Buna

Cams: Acetal

Grommet: TPE

Electrical Specifications

Recommended Operating Voltage:

12 to 24 Volt DC

Typical Operating Current (average

at no load): Less than 600mA at

12 VDC

Input Signal Current Draw: 25mA

Maximum at 24 VDC

Micro-switch Rating: 3A Maximum

at 12VDC

Wire Color Code / Connector

Pin Assignment:

PIN 1: Brown: Ground (-)

PIN 2: Red: Power 12 to 24 Volts DC

PIN 3: Orange: Control Signal

12 to 24 Volts DC

PIN 4: Black: Microswitch Common

PIN 5: Blue: Microswitch N.O.

Contact

PIN 6: Grey: Microswitch N.C.

Contact

Electronic Actuators

See page 42



Mechanical Actuators

See page 36



Cables

See page 272



Wiring/Junctions

See www.southco.com

