



R4 EM Light Duty Electronic Rotary Latch

Electronic access

Material & Finish

Housings: PC/ABS
 Cam: Glass Filled Nylon
 Trigger: PBT
 Springs: Stainless Steel
 Pins: Steel, zinc plated

Electrical Specifications

Recommended Operating Voltage:
 12 to 24 VDC
 Typical Operating Current (average
 at no load): Less than 600mA at
 12VDC
 Input Signal Current Draw: 25mA
 Max

**Optional microswitch closes upon
 latch closure

Microswitch Rating: 3A Max at
 12 VDC

Wire Color Code / Connector Pin Assignment:

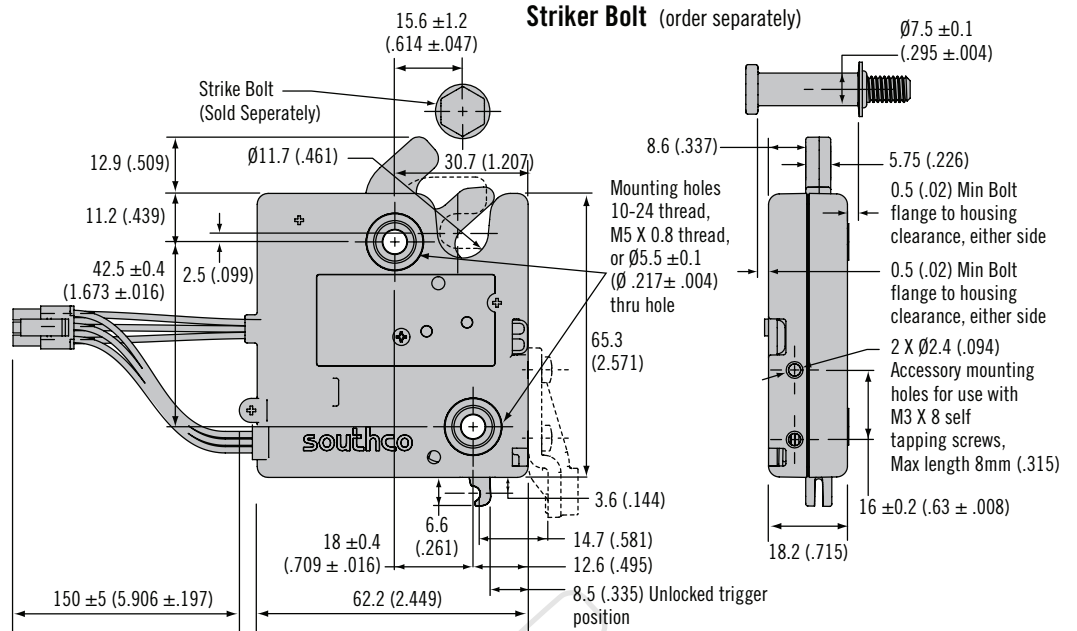
PIN 1: Brown: Ground (-)
 PIN 2: Red: Power 8 to 26 Volts DC
 PIN 3: Orange: Control Signal
 8 to 12 Volts DC (Contact Southco
 for Higher Voltage Requirements)
 PIN 4 Black: Microswitch Common
 PIN 5 Blue: Microswitch N.O.
 Contact
 PIN 6 Grey: Microswitch N.C.
 Contact

Wire Length: 150mm (5.90) with
 connector

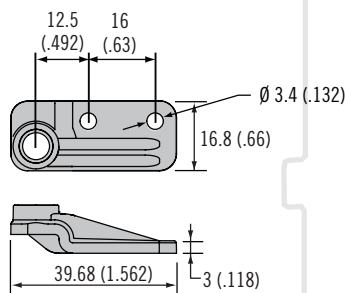
Contact Southco for mate connector
 and wire harness

Notes

For mechanical release actuators
 and cables contact Southco
 Parts are shipped individually boxed.
 For bulk packaging add -1 to the
 end of the part number (40 per box)

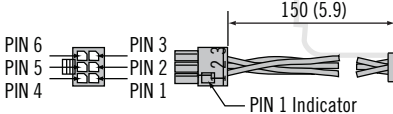


Mounting Kit Screws Included (Part Number R4-EM-72)



Latch Connector

Molex Microfit 3.0 series



Available without connector with 430mm (16.9in) length wires
 (stripped and tinned). Contact Southco for details.

R4-EM Light Duty Latch Part Number		
	No Microswitch	With Microswitch
	With connector	With connector
Ø 5.5 (.22) Thru hole mounting	R4-EM-X3-131	R4-EM-X3-161
M5 Threaded mounting	R4-EM-X4-131	R4-EM-X4-161
10-24 Threaded mounting	R4-EM-X5-131	R4-EM-X5-161
Striker Bolt Part Number		
Striker bolt	R4-90-511-20	

X=4 for Auto Re-lock version
 X=6 for Delayed Re-lock version

Dimensions in millimeters (inch) unless otherwise stated

Other options available. For complete details
 on variety, part numbers, installation and
 specification, go to

INFO CLIC www.southco.com/R4-EML

southco
 CONNECT · CREATE · INNOVATE

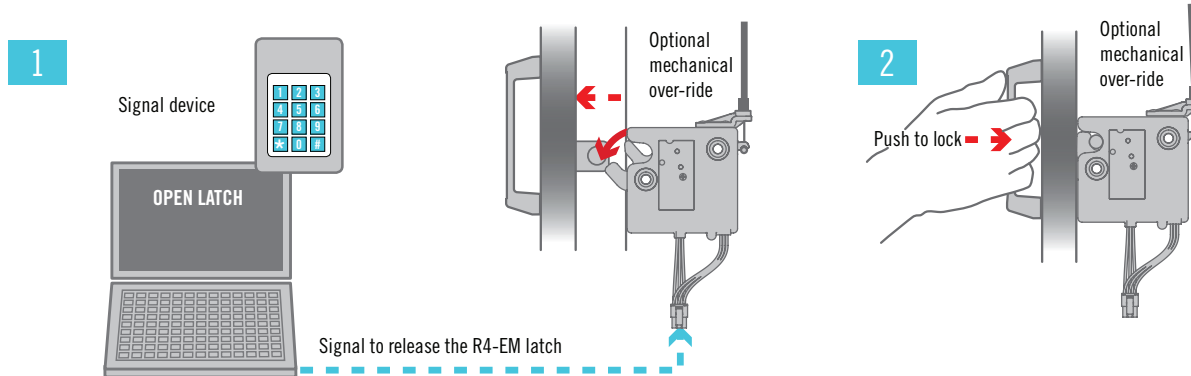
R4 EM Light Duty Electronic Rotary Latch

Electronic access

Operation

Auto Re-lock Version

1. The signal momentarily unlocks and releases the spring loaded cam which rotates out to push a lightweight door open. The latch then immediately returns to the locked state ready to re-lock upon closing
2. Push door closed to engage striker with the R4-EM latch



Delayed Re-Lock R4EM

Use the Delayed re-lock version for heavier doors that will not kick open or where remote lock/unlock manual door opening is preferred over a pop open style.

1. The signal unlocks the R4-EM latch leaving a biased closed door in the closed position.
2. Manually pull door/striker free from R4-EM latch
3. Manually push door closed. Striker will rotate cam to closed position, however latch will remain unlocked and can be re-opened as long as signal is present
4. After accessing the door, the signal can be removed to re-lock the R4-EM. This can be done with the door in the open or closed position.

