

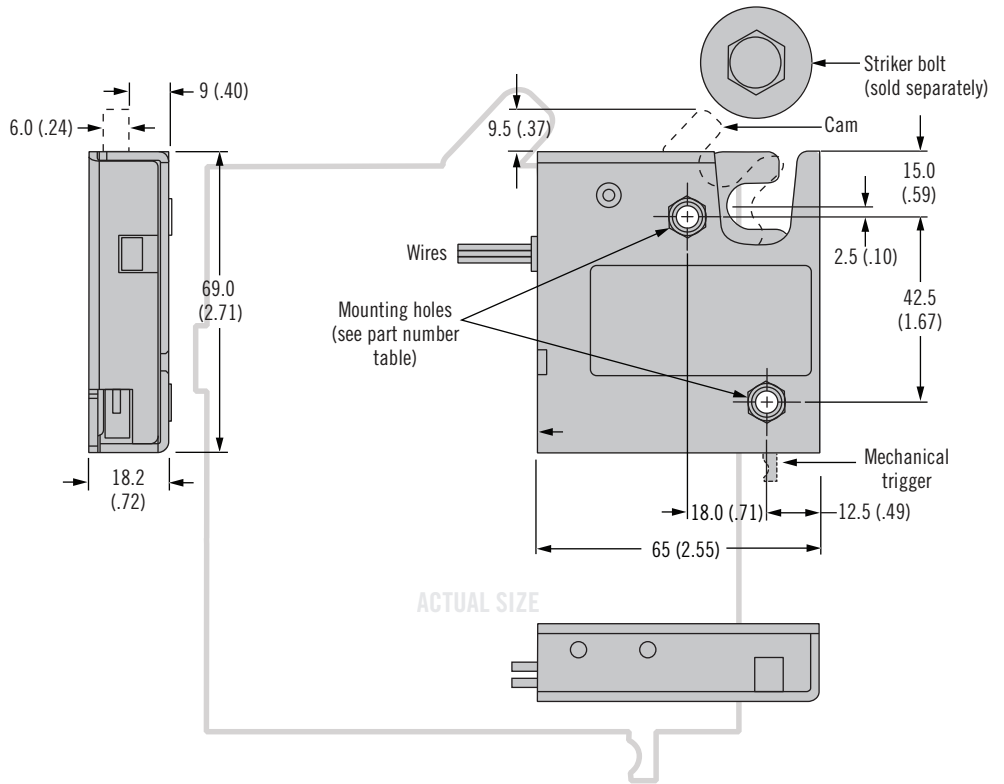
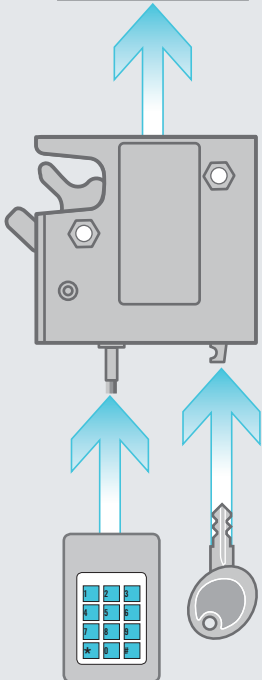


R4-EM 1 & 2 Series Electronic Rotary Latch

All-metal construction

Electronic access with internal motor control

- High strength, steel construction
- Operates against high mechanical loads
- Push-to-close, electronic release
- Versatile rotary mechanism
- Concealed latching
- Microprocessor control
- Minimal power draw
- Simple mechanical override
- Optional internal microswitch for latch open/close output signal

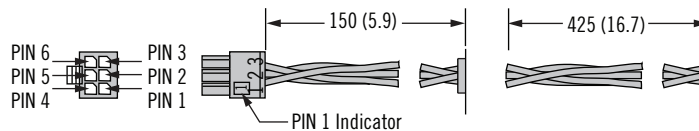


Latch Wiring Connections

With connector

Molex Microfit 3.0 series

Without connector



Part Number Selection

R4 - EM - T B A - 1 S C - P

T Trigger Styles

- 1 Auto relock, side trigger, with kick-out spring
- 2 Delayed relock, side trigger, with light spring
- R1 Auto relock, rear trigger, with kick-out spring
- R2 Delayed relock, rear trigger, with light spring

B Base Mounting Style

- 1 1/4 - 20 thread
- 2 M6 thread
- 3 Ø 7.0 (.27) thru hole

A Alternate Configurations

- None Standard configuration
- 2 Strong (kick out) cam spring (delayed relock)
- 3 High strength cam
- 4 High strength cam with strong (kick out) cam spring (delayed relock)

P Packaging Options

- None Individually packaged
- 1 Bulk packaged

C Connector Options

- 1 With connector
- 2 Without connector

S Switch Options

- 3 No switch
- 6 Internal latch status switch

Other options available. For complete details on variety, part numbers, installation and specification, go to



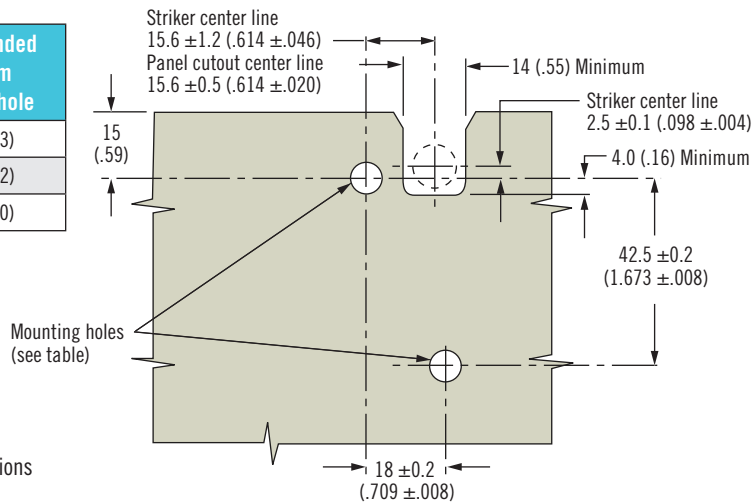
www.southco.com/R4-EM

Dimensions in millimeters (inch) unless otherwise stated

Installation

Panel Preparation

Base Mounting Style	Recommended minimum mounting hole
1/4-20 thread	Ø 7.2 (.283)
M6 thread	Ø 6.9 (.272)
Thru hole	Ø 7.6 (.300)



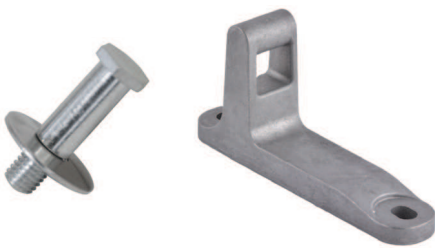
Operation

See page 34 for operating instructions

Accessories

Striker Bolt or Cast Striker

See page 35



Cable Mounting Kit

See page 35



Electronic Actuators

See page 42



Mechanical Actuators

See page 36



Cables

See page 272



Wiring/Junctions

See www.southco.com



Material & Finish

Mechanism

Housing: Steel, zinc plated

Cam, trigger: Steel, zinc plated

Springs: 300 Series stainless steel

Pins: Steel, zinc plated

Electronic Actuator:

Housing: PC/ABS

Cam / follower: Acetal

Electrical Specifications

Recommended Operating Voltage:

12 to 24 Volt DC

Typical Operating Current: Less than 500mA at 12 VDC

Peak/Stall Operating Current: 1 A

Standby Current: 185uA

Input Signal Current Draw: 25mA

**Optional microswitch closes upon latch closure

Microswitch Rating: 3A at 12VDC Maximum

Wire Color Code / Connector

Pin Assignment:

PIN 1: Brown: Ground (-)

PIN 2: Red: Power 8 to 26 Volts DC

PIN 3: Orange: Control Signal 8 to 26 Volts DC

PIN 4: Black: Microswitch Common

PIN 5: Blue: Microswitch N.O. Contact

PIN 6: Grey: Microswitch N.C. Contact

Contact

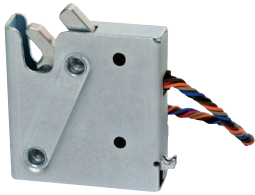
Contact

Contact

Other options available. For complete details on variety, part numbers, installation and specification, go to



www.southco.com/R4-EM

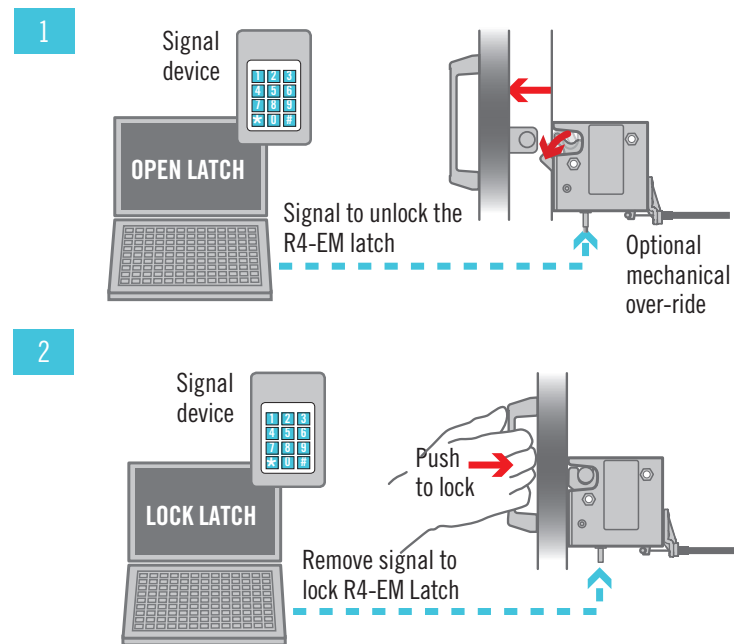


R4-EM Electronic Rotary Latch

Operating instructions

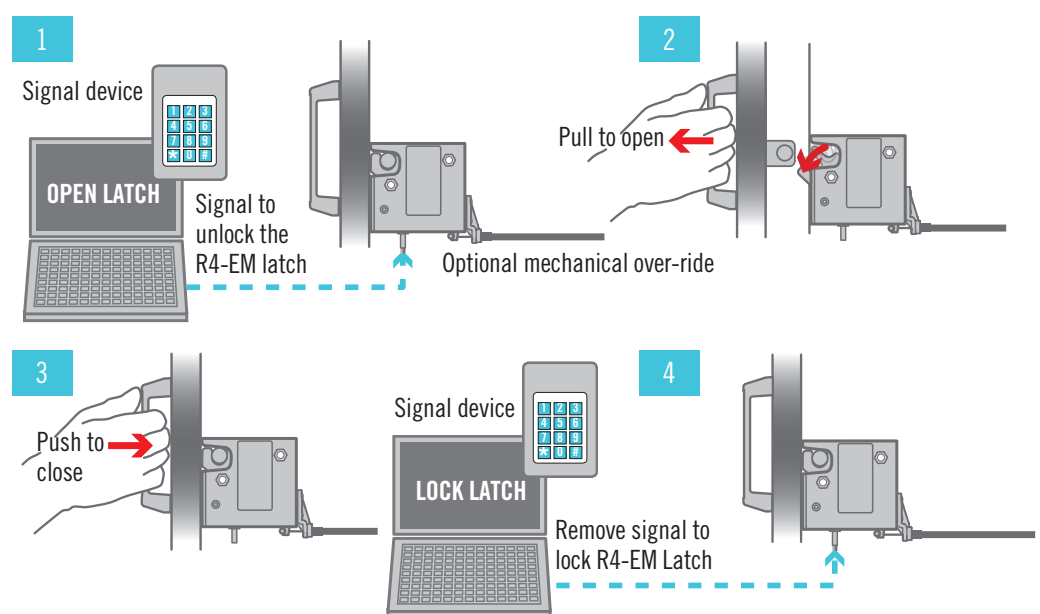
Operation - Auto relock

1. The signal unlocks the R4-EM latch and releases the spring loaded cam which rotates out to push a lightweight door open. The mechanism will cycle through unlatched then related state automatically, regardless of input signal on time.
2. Push door closed to engage striker after unlock time has expired. Striker will rotate cam to closed position.



Operation - Delayed relock

1. The signal unlocks the R4-EM latch leaving a biased closed door in the closed position. The unlock time is controlled by the access control device.
2. Manually pull door/striker free from R4-EM latch.
3. Manually push door closed. Striker will rotate cam to closed position, however latch will remain unlocked and can be re-opened as long as signal is present.
4. After accessing the door, the signal can be removed to re-lock the R4-EM. This can be done with the door in the open or closed position.



Other options available. For complete details on variety, part numbers, installation and specification, go to



www.southco.com/R4-EM

Dimensions in millimeters (inch) unless otherwise stated

southco
CONNECT · CREATE · INNOVATE