

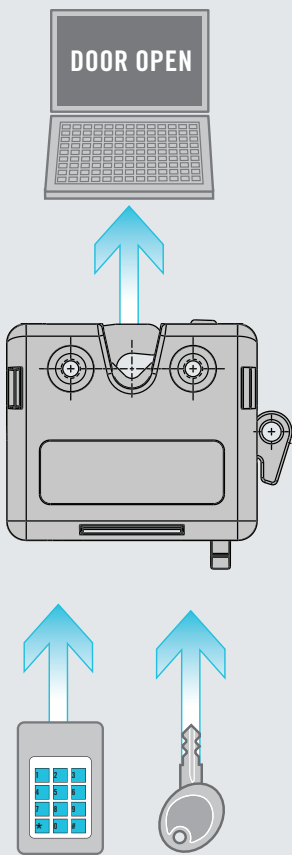
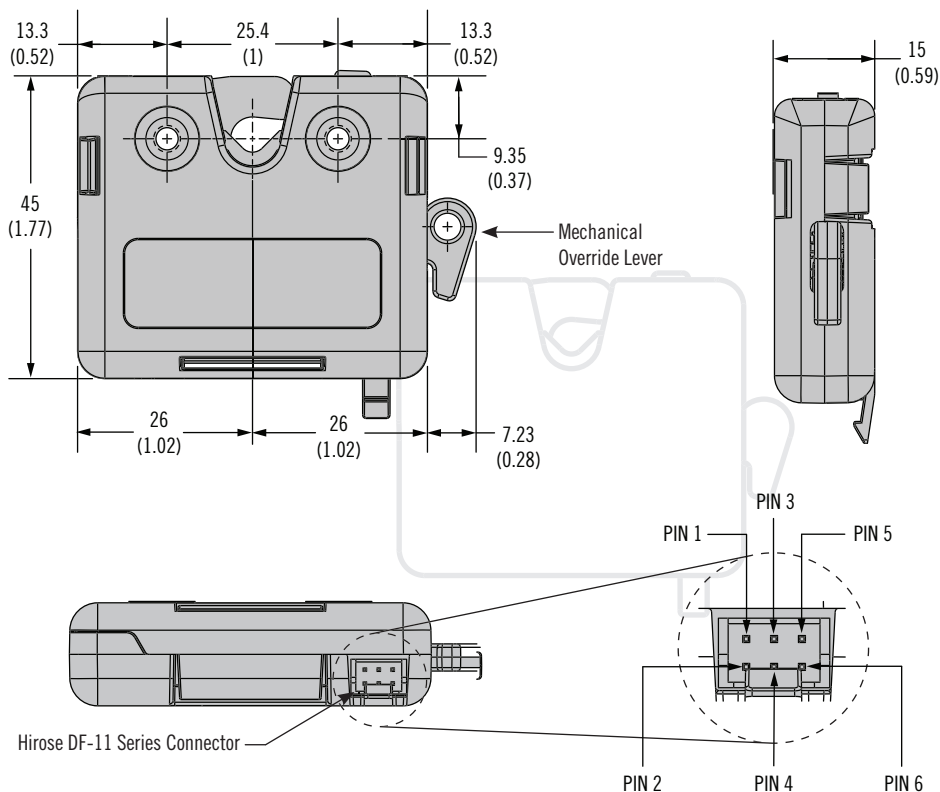


# R4-EM-05 Series Electromechanical Rotary Latch

Compact Size · Door Sense Option

Electronic access with internal motor control

- Push-to-close, electronic release
- Compact design
- Sensors ensure secure latch & door
- Latch releases reliably even under high load
- Integrated mechanical over-ride



## Part Number Selection

**R4 - EM - T M 0 - 1 S 0 - P**

**T** Operation Style

- 05A Auto relock
  - 05D Delayed relock
- See page 21 for operation details

**M** Mounting Type

- 0 4.5mm thru
- 1 8-32 UNC
- 2 M4x0.7

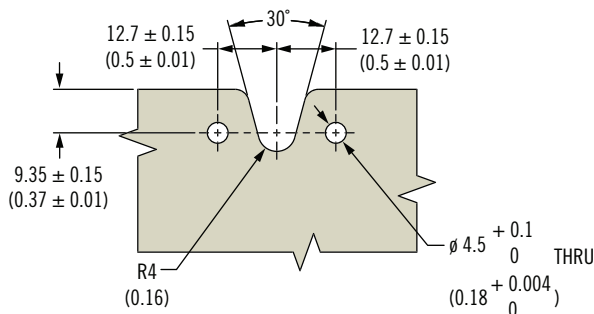
**S** Sensor Options

- 0 - Latch Sensor Only
  - 5 - Latch & Door Sensor\*
- \* Door sensor requires door sensor bracket

- P** Packaging Options
- None Individually packaged
  - 1 Bulk packaged

## Installation

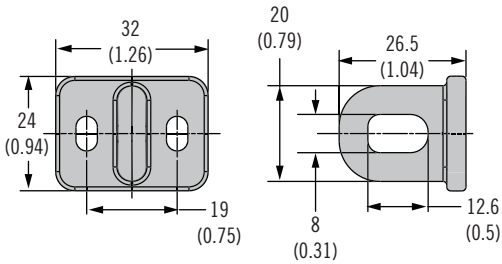
Panel Preparation



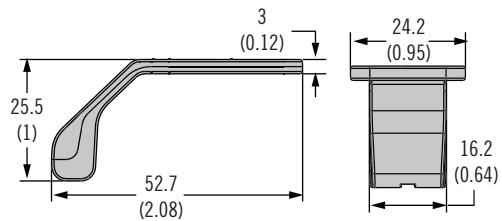
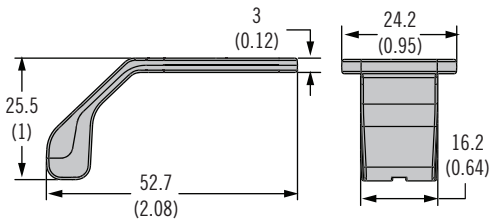
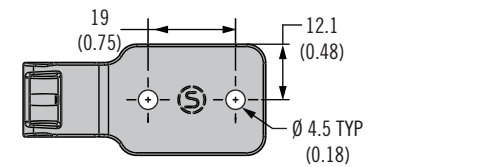
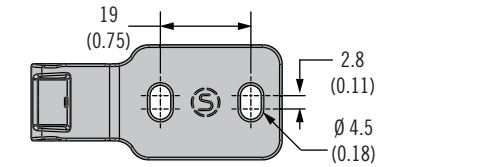
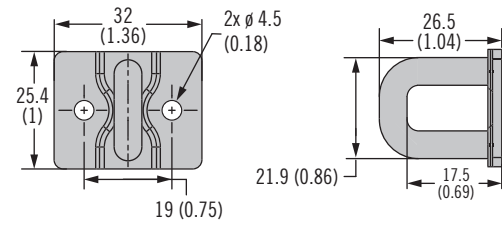
Dimensions in millimeters (inch) unless otherwise stated

**Optional Striker and Door Sensor Bracket**

Part Number	
Molded Striker	R4-0-61336
Door Sensor Bracket	R4-99-966



Part Number	
Wire Form Striker	R4-0-71060
Door Sensor Bracket	R4-99-966-1



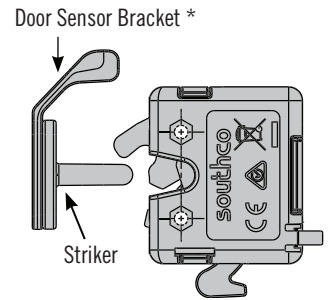
**Material and Finish**

Housing: PC/ABS  
 Latch frames, Pivot pins, Cam and Trigger: Steel, zinc plated  
 Striker: Steel, zinc plated or Glass-filled nylon, black  
 Door Sensor Bracket: PC/ABS, Magnet: Neodymium  
 Recommended Operating Voltage: 5 to 12 VDC  
 Typical Operating Current: Less than 500mA

**Latch Connector**

**PIN Assignment**

- PIN 1: Ground (-)
- PIN 2: Power (+)
- PIN 3: Not connected
- PIN 4: Control signal
- PIN 5: Latch status
- PIN 6: Door status



\* Door sensor bracket required for door sense capability

**Electronic Actuators**  
See page 48



**Mechanical Actuators**  
See page 34



**Cables**  
See page 322



**Wiring/Junctions**  
See [www.southco.com](http://www.southco.com)

