



R4 Rotary Latch

Heavy-duty · Two stage

- Single or multi-point latch capability
- Compatible with a wide array of actuators
- FMVSS 206 capable
- EN 45545-3 E60 compliant

Material and Finish

Steel, zinc plated

Accessories

Cables and retainer clips see pages 322-323

Notes

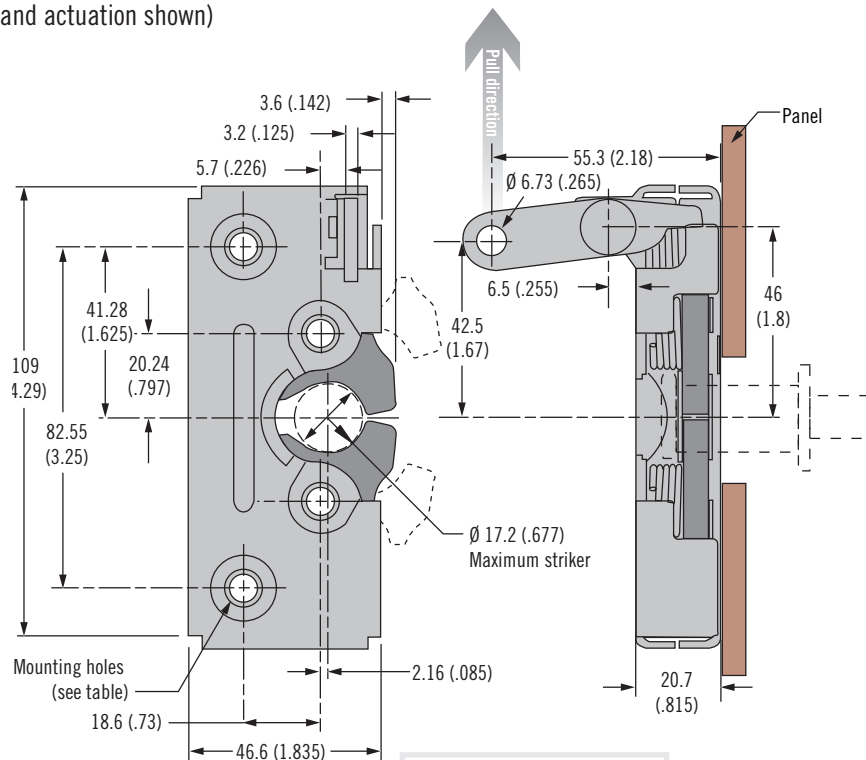
Electromechanical rotary latches available see page 20

For panel preparation visit www.southco.com/R4

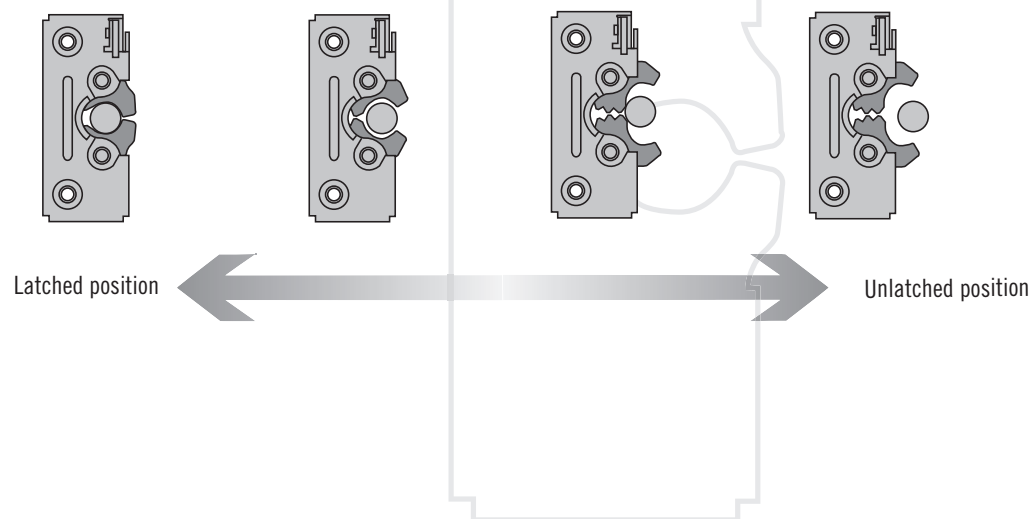
Striker Bolt Assembly (sold separately): R4-90-441-10

Single Trigger, Perpendicular Actuation

(left hand actuation shown)



Operation





Part Number Selection

R4 - 50 - S I - 101 - 10

S Stage & Actuation

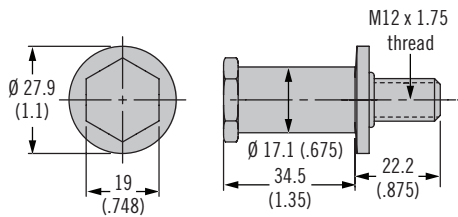
- 1 Single stage, right hand
- 2 Single stage, left hand
- 3 Two stage, right hand
- 4 Two stage, left hand

I Mounting Style

- 0 7.2mm thru hole
- 1 1/4-20 thread
- 2 M6 thread

Striker Bolt Assembly (sold separately)

R4-90-441-10 Steel, Zinc Plated

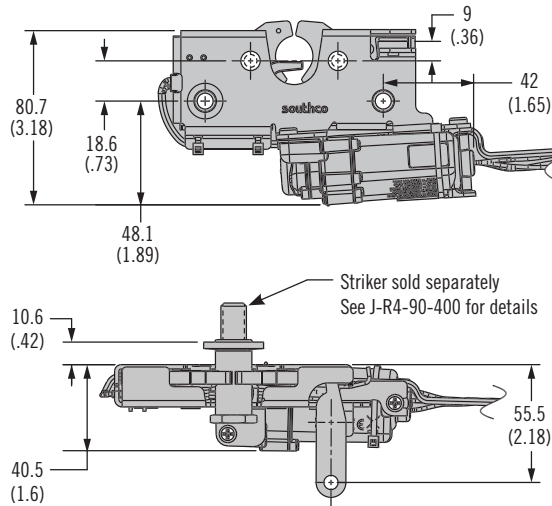




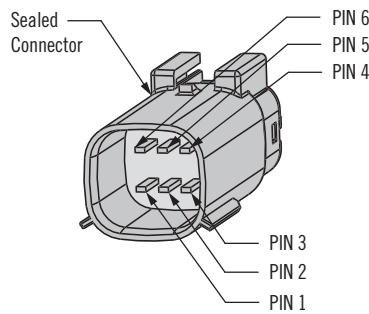
R4 Rotary Latch

Heavy-Duty – Concealed – Electronic Operation and Door Sensing

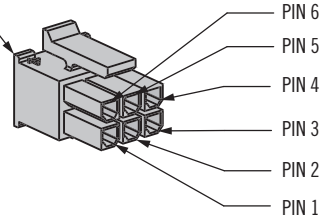
Latch with door sensor, 12V sealed electronic actuator
(right hand actuation shown)



Connector options
(See below)



Non-Sealed Connector



Connector Pinout		
Pin	Wire Color	Function
1	Brown	Ground
2	Red	Power release
3	Orange	Power relock
4	Black	Switch common
5	Blue	Door secure
6	Grey	Door open



Enable wireless operation with Southco's **BLUETOOTH®** Controller

Part Number Selection

R4 - 50 - S I - 1 E 1 - 10

- I** Stage & Actuation
 - 3 Two stage right hand
 - 4 Two stage left hand

- I** Mounting Style
 - 0 7.2 mm thru hole
 - 1 1/4-20 threaded
 - 2 M6 threaded

- E** Electronics
 - EA With switch and actuator, non-sealed connector
 - EB With switch and actuator, stripped & tinned wires
 - EC With switch and actuator, sealed connector

- High strength door retention (FMVSS 206)
- Sensor verifies door closure
- Exceptional cycle life
- Quick release
- Sealed actuator
- Releases reliably under high load

Material and Finish

Latch: steel, zinc plate or zinc nickel plate
Actuator: PC/ABS, acetal, silicone, buna seals

Electronic specifications:

Operating voltage 12 VDC nominal
Operating current < 600mA
Temperature -40 to 80°C
Sealed (IP65)

Accessories

Striker Bolt Assembly (sold separately) R4-90-441-10
Cables and retainer clips see pages 322-323



Dimensions in millimeters (inch) unless otherwise stated