



R4 Rotary Latch

Medium-Duty · Concealed · Single and two stage

- Compatible with wide array of actuators
- Hand actuation option
- EN 45545-3 E60 Compliant

Material and Finish

Steel, zinc plated or 304 stainless steel, passivated

Accessories

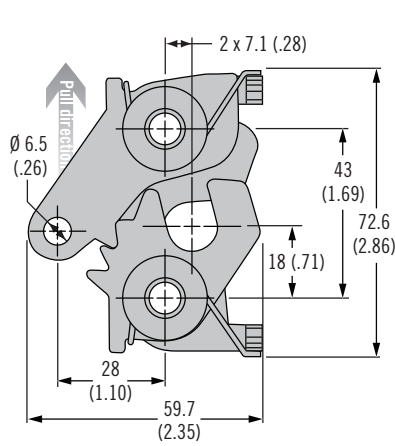
Cables and retainer clips see pages 322-323

Notes

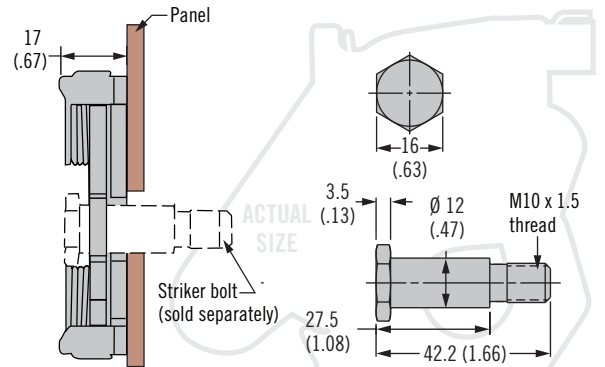
Electromechanical rotary latch available see page 20

For panel preparation visit www.southco.com/R4

Remote Actuation (left hand, two stage version shown)

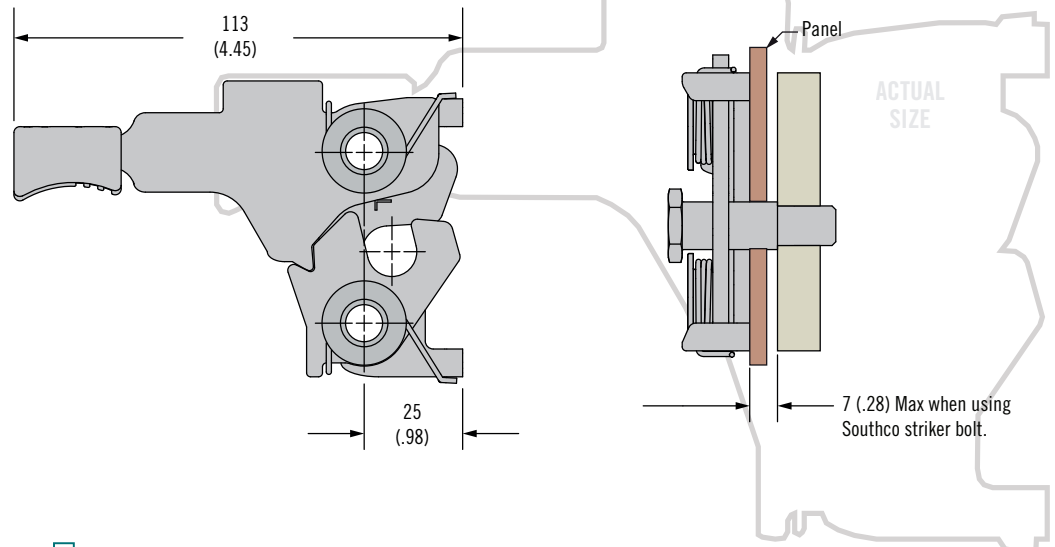


Striker Bolt (sold separately)



Striker Bolt Part Numbers	
Part Number	Material
R4-91-231-10	Steel
R4-91-231-20	Stainless Steel

Hand Actuation (left hand, single stage version shown)



Part Number

See table

Order latch and striker separately

S Stage & Actuation

- 1 Single stage, right hand
- 2 Single stage, left hand
- 3 Two stage, right hand
- 4 Two stage, left hand

I Mounting Style

- 0 Ø 8.3 (.327) thru
- 1 5/16-18 thread
- 2 M8 x 1.25 thread

R4 - 20 - S I - L 01 - M

L Lever Type

- 4 Hand actuation (steel only)
- 5 Bottom

M Material

- 10 Steel
- 20 Stainless steel