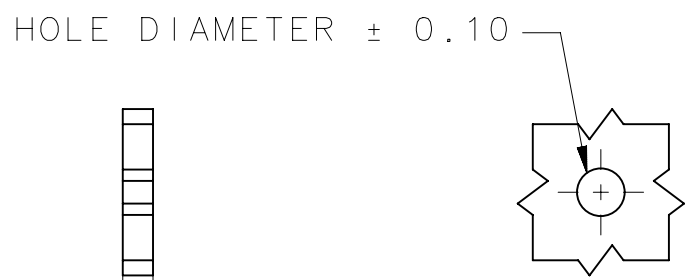
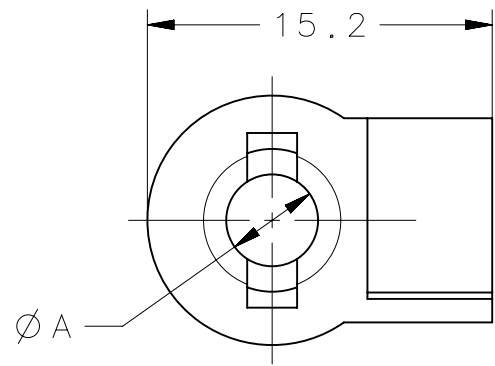


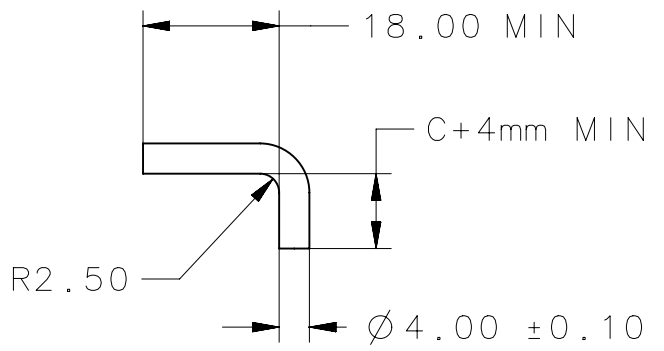
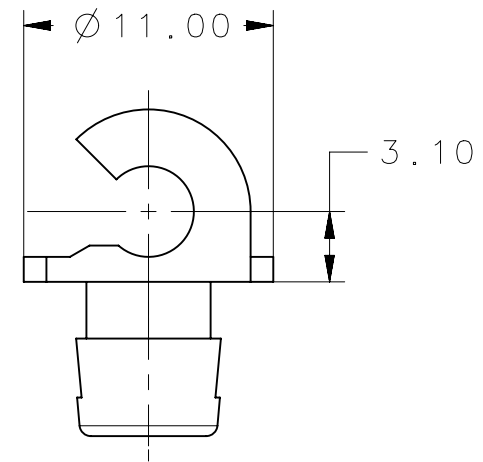
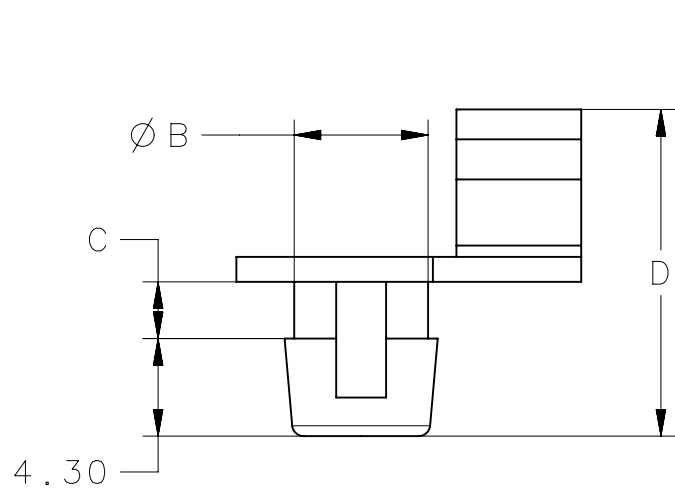
REVISION HISTORY			
REV	DATE	BY	DESCRIPTION
F	04JUN2010	RJB/LBT	PRN: P2011-0154



HOLE DIAMETER ± 0.10

PANEL THICKNESS $+0.20$
 -0.10

RECOMMENDED PANEL PREPARATION DIMENSIONS
SCALE 1:1



RECOMMENDED L FITTING DIMENSIONS FOR
ROD OR CABLE ACTUATED APPLICATIONS
SCALE 1:1

DIMENSIONS							PANEL PREP.	
PART NUMBER	MATERIAL	COLOR	A	B	C	D	HOLE DIAMETER	PANEL THICKNESS
R4-0-43922	ACETAL	BLACK	4.05	5.9	2.5	14.4	6.30	2.0
R4-0-43922-1	ACETAL	NATURAL	4.05	6.3	4.5	16.4	6.65	4.0
R4-0-43922-2	ACETAL	BLACK	4.05	5.9	4.5	16.4	6.30	4.0

THIRD ANGLE PROJECTION		 CONNECT • CREATE • INNOVATE	
MILLIMETERS [IN]			
TOLERANCES UNLESS OTHERWISE NOTED		DESCRIPTION	
ALL DIMENSIONS WITHOUT TOLERANCES ARE FOR REFERENCE ONLY.		LINK RETAINER	
SURFACE AREA XXXXXmm ²		SIZE A4	SYSTEM NX
VOLUME XXXXXmm ³		DWG NO. J-R4-0-43922	
PROPRIETARY ITEM <small>EXCEPT FOR USES EXPRESSLY GRANTED IN WRITING, INFORMATION DISCLOSED HEREON IS CONFIDENTIAL AND ALL RIGHTS, PATENT AND OTHERWISE, ARE RESERVED BY SOUTHCO, INC.</small>		DRAWN BY ACH	DATE 28APR2009
PER ASME Y14.5M-1994		SCALE 3:1	SHEET 1 OF 1