



R3-22 Multi Point Actuator

Pull-to-open Paddle

- Single or multi-point actuation capability
- Compatible with a wide range of rotary latches
- Environmentally sealed

Material and Finish

Latch assembly: Zinc alloy, black or white powder coated or chrome plated.
 Mounting bracket: Steel, zinc plated

Installation Notes

Maximum tightening torque on mounting screws: 2 N•m (14 in•lbf)

Notes

For lock core selection and a complete overview of the *SOUTHCO*® Key-Choice System see page 158

Can be configured with 1 or 2 cables. Recommended cable type 7. Cable mounting brackets sold separately. (See page 275).

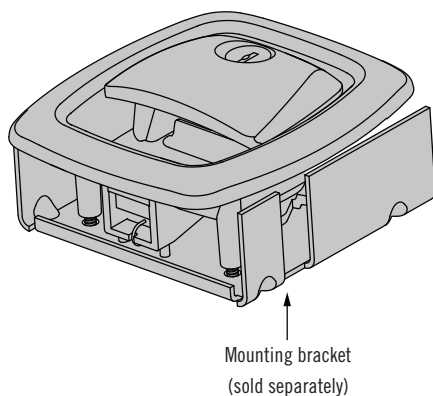
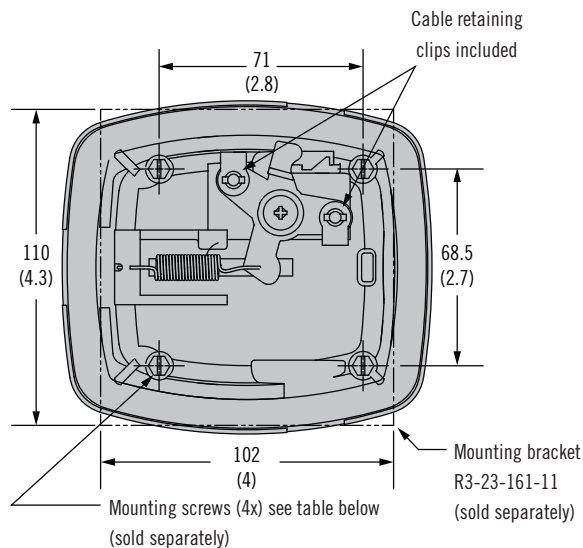
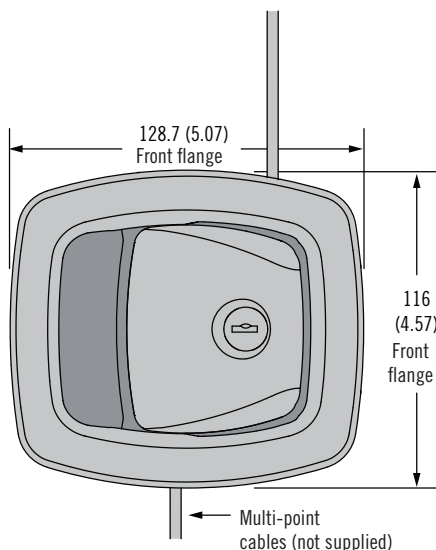
Part Number

Order latch, bracket and mounting screws separately

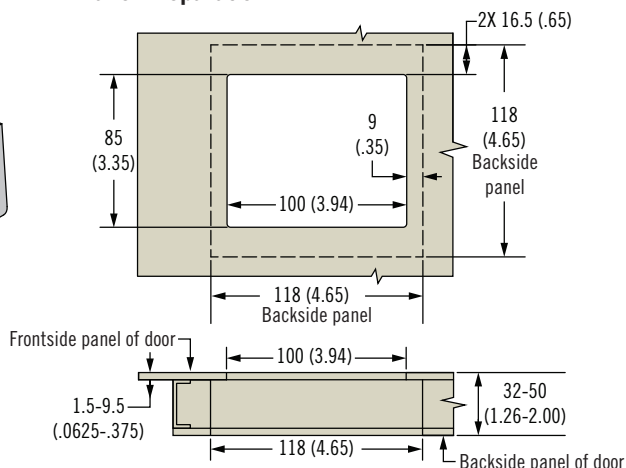
For latch see table

For mounting bracket, order part number R3-23-161-11

See table for mounting screws



Panel Preparation



R3 - 22 - 3 L 0 - F 0

L Locking Options

- 0 Non-locking
- 1 Reversible Key (No keys - R001)
- 2 Reversible Key (2 keys included - R001)
- 4 Standard Key (No keys - CH751)
- 5 Standard Key (2 Keys included - CH751)
- 9 No lock plug installed (see notes for more information)

F Finish

- 1 Polished chrome
- 5 Black powder coated
- 7 White powder coated

Screws for Mounting Bracket Part Number R3-23-161-11

Front Door Thickness	No. 8 Self Tapping Screw (order 4 per latch)
1.5 (.062) - 4.8 (.187)	R3-23-250-01
4.8 (.187) - 9.5 (.375)	R3-23-250-02

Other options available. For complete details on variety, part numbers, installation and specification, go to

INFO CLIC www.southco.com/AC

Dimensions in millimeters (inch) unless otherwise stated