



# R3 Push-to-Close Latch

Pull-to-open · Paddle handle · Baggage door latch

- Environmentally sealed
- Emergency release
- For use with R4 rotary latches

### Material and Finish

Latch assembly: Zinc alloy, black or white powder coated or chrome plated

Slide bolt: Zinc alloy, zinc plated

Striker mounting plates and brackets: Steel, zinc plated

### Performance Details

Max. working load: 560 N (125 lbf)

### Installation Notes

Max. tightening torque on mounting screws: 2 N·m (14 in·lbf)

### Notes

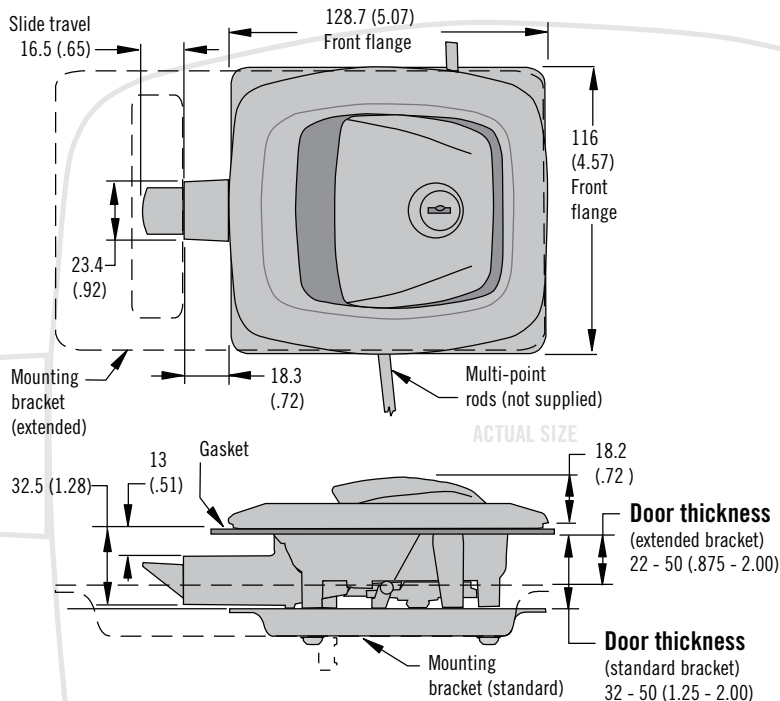
\*For lock core selection and a complete overview of the *SOUTHCO*® Key-Choice System see pages 182 -183

### Part Number

Order latch, bracket and mounting screws separately.

For latch see table

For bracket and mounting screws see page 167



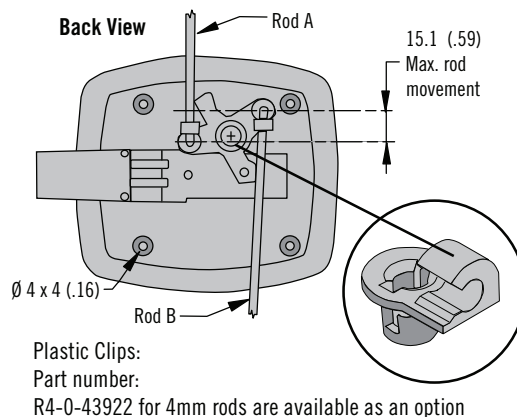
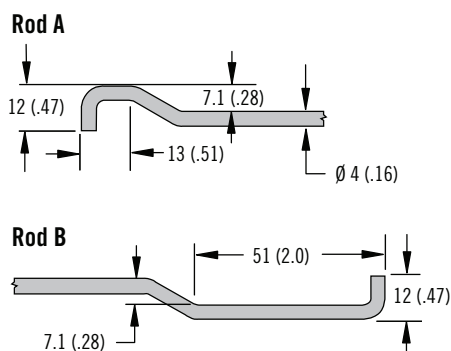
### Multi-Point Capable

For applicable rotary latches see page 121

Actuating rods are not supplied

Recommended rod configuration shown below

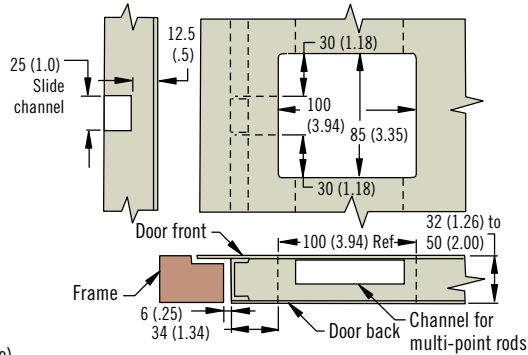
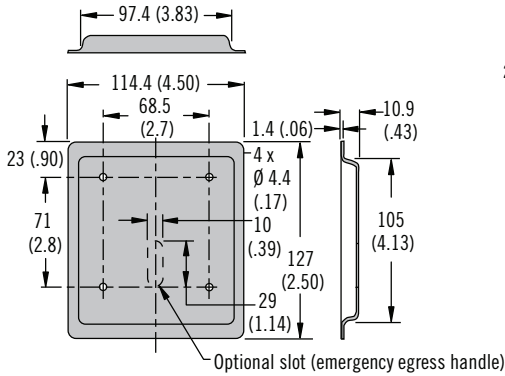
Latch shown in actuated (unlatched) position (slide retracted)



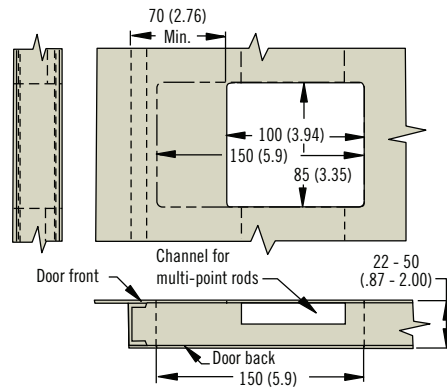
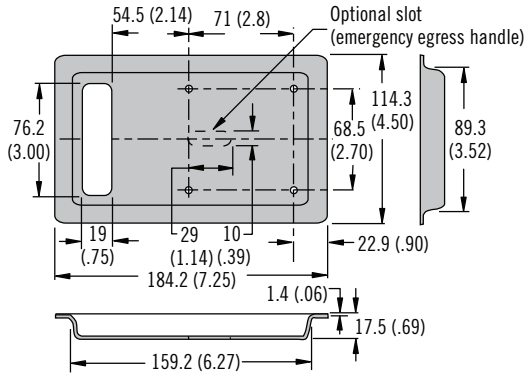
Latch Finish	Part Number			
	Locking (CH751) (2 Keys Included)	Locking (Reversible Key) R001 (2 Keys Included)	Locking (No Core)*	Non-Locking
Chrome, polished	R3-20-350-10	R3-20-320-10	R3-20-390-10	R3-20-300-10
Black powder coated	R3-20-350-50	R3-20-320-50	R3-20-390-50	R3-20-300-50
White powder coated	R3-20-350-70	R3-20-320-70	R3-20-390-70	R3-20-300-70

Dimensions in millimeters (inch) unless otherwise stated

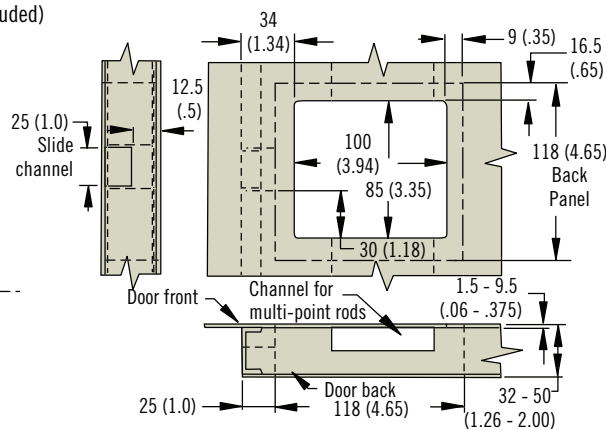
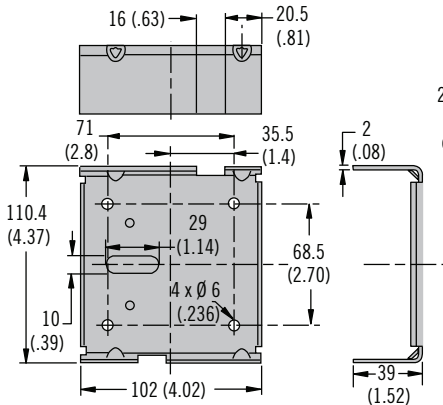
**Standard Bracket**



**Extended Bracket**



**U-Bracket (slot for emergency egress handle included)**



**Accessories**

Flat key, keyed alike CH751  
(2 keys per ring)

Part number: PK-10-01



Overmolded key, keyed alike CH751  
(2 keys per ring)



Part number: PK-10-01-05

Overmolded key, keyed alike R001  
(2 keys per ring)

Part number: PK-10-01-KR001

Emergency egress handle (optional):

Part number: R3-21-110



**Notes**

U-bracket is intended for sheet metal door applications

**Part Number**

Order latch, bracket and mounting screws separately.

For latch see page 166

For bracket and mounting screws see table

Bracket Part Number		No. 8 Self Tapping Screw (Part Number By Length)				
		R3-23-250-01	R3-23-250-02	R3-23-250-03	R3-23-250-04	R3-23-250-05
		16 (.625) Long	19 (.750) Long	25.4 (1.00) Long	32 (1.250) Long	38 (1.500) Long
Standard Bracket	R3-23-160-11-01	32 (1.250)	32 (1.250) - 38 (1.500)	38 (1.500) - 44 (1.750)	44 (1.750) - 50 (2.00)	—
Extended Bracket	R3-23-162-11-01	22 (.875) - 25 (1.00)	25 (1.000) - 32 (1.250)	32 (1.250) - 38 (1.500)	38 (1.500) - 44 (1.750)	44 (1.750) - 50 (2.00)
U-Bracket	R3-23-161-11	1.5 (.0620) - 4.8 (.187)	4.8 (.187) - 9.5 (.375)	—	—	—

Door thickness