



R3 Push-to-Close Latch

Pull-to-open · Paddle handle · Entry door latch

- Environmentally sealed
- Dual sided access and locking

Material and Finish

Latch assembly: Zinc alloy, black powder coated or white or chrome plated

Slide bolt: Zinc alloy, zinc plated

Striker mounting plates and brackets: Steel plated, zinc plated

Performance Details

Max. working load: 560 N (125 lbf)

Operating temperature range: -18°C (0°F) to 60°C (140°F)

Installation Notes

Max. tightening torque on mounting screws: 2 N·m (14 in·lbf)

Accessories

Overmolded key, keyed alike R302 (2 keys per ring)

Part number: PK-10-01-07-KR302



Replacement screws

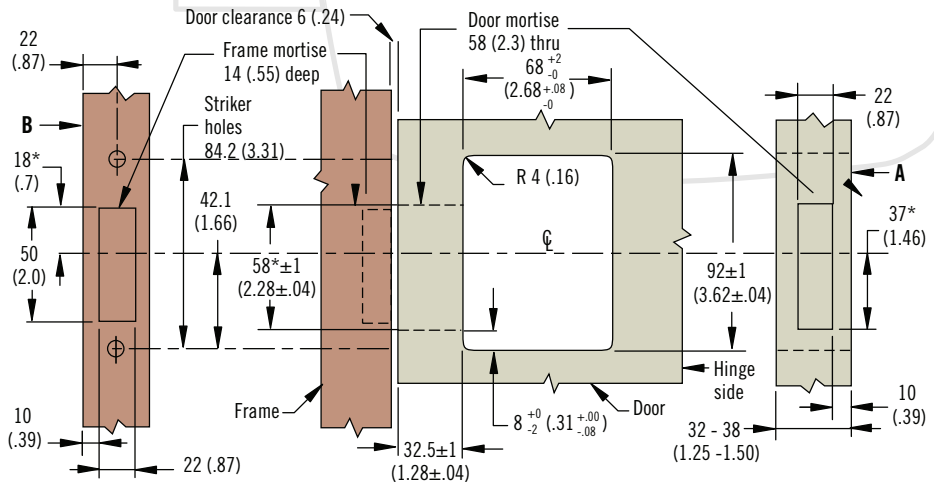
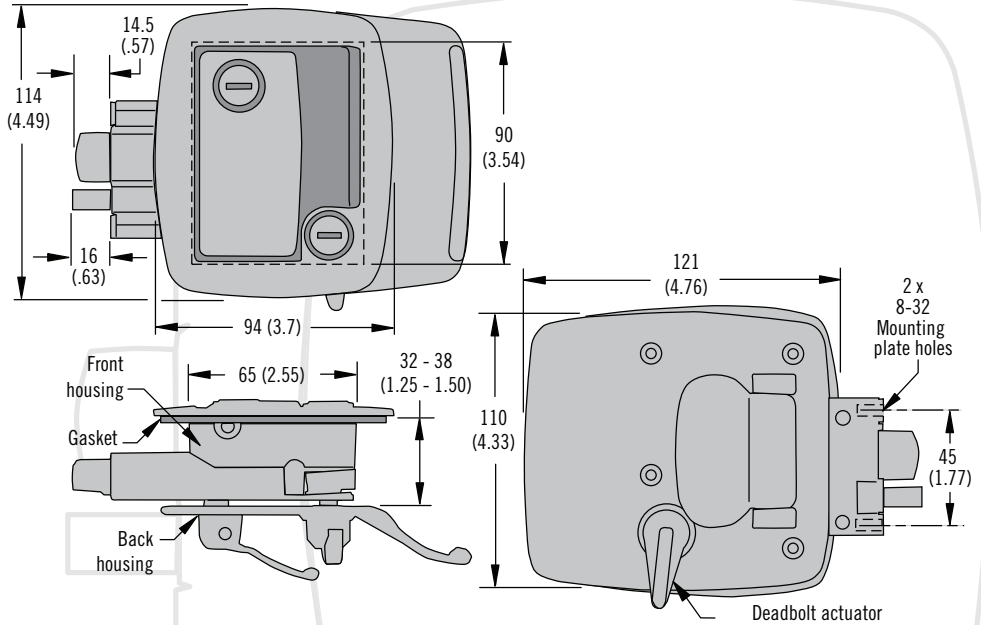
Part number: R3-13-310

Notes

Mounting plate, striker plate and all mounting screws except striker plate screws are provided with each lock set.

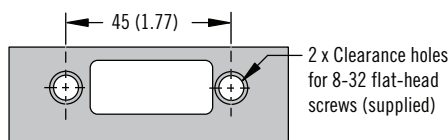
Part Number

See table

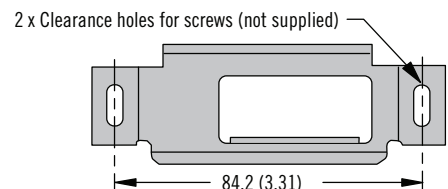


*For left hand mounting mirror the dimensions marked with * by moving them to the other side of the centerline.

Mounting Plate



Striker Plate



Finish	Latch Part Number
Chrome, polished	R3-10-311-10
Black powder coated	R3-10-311-50
White Powder coated	R3-10-311-70

Part Number	
Mounting plate	R3-13-190
Striker plate	R3-13-180

Dimensions in millimeters (inch) unless otherwise stated