



R2 Draw Latch

Concealed · Shallow tab

- High tensile load
- Adjustable pull-up
- Suited for thin panels

Material and Finish

Steel, zinc plated

Performance Details

Average ultimate tensile load:
6200 N (1400 lbf)

Average ultimate shear load:
8900 N (2000 lbf)

Installation Notes

Install assembly with M5 (No. 10) screws (not supplied)

Accessories

Actuation tool

Part number: 29-0059-02

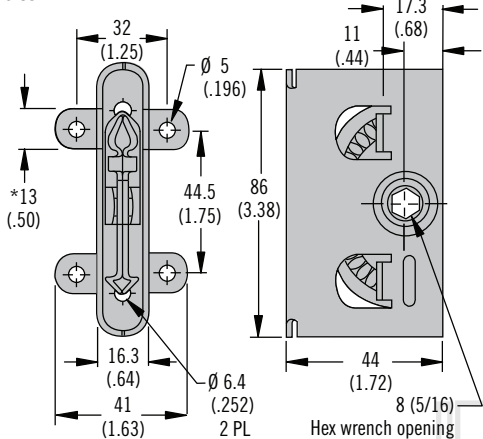
Hole plugs

Part number:

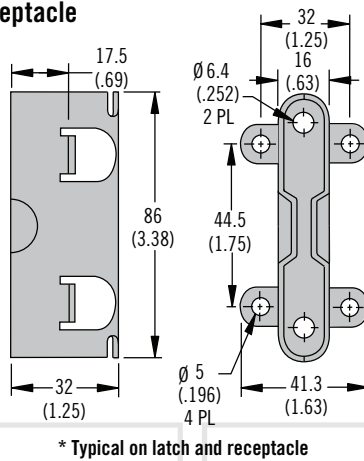
White: T5-7075-000

Black: T5-7075-028

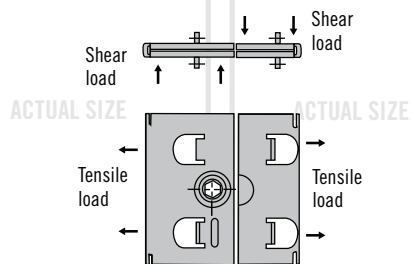
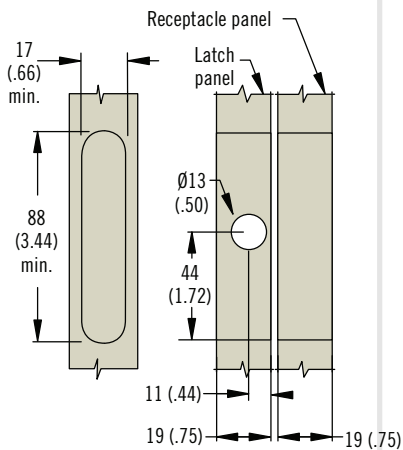
Latch



Receptacle

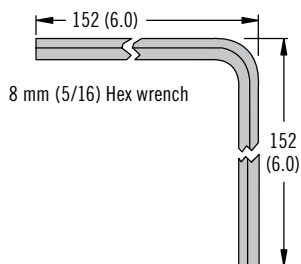


* Typical on latch and receptacle



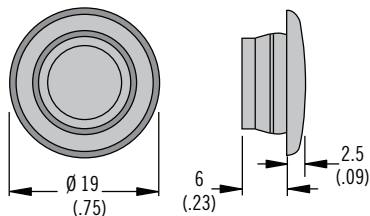
Accessories

Actuation Tool



Hole Plugs

Optional hole plugs to conceal actuator access hole are available for a 13 (.50) diameter hole



Part Number

See table

Order latch and keeper separately

Part Number	
Latch	R2-0259-02
Receptacle	R2-0257-02

Dimensions in millimeters (inch) unless otherwise stated

