



R2 Draw Latch

Concealed · Mortise

- High tensile load
- Adjustable pull-up
- Suited for mortise or side mount installation

Material and Finish

Steel, zinc plated

Performance Details

Average ultimate tensile load:
6200 N (1400 lbf)

Average ultimate shear load:
8900 N (2000 lbf)

Installation Notes

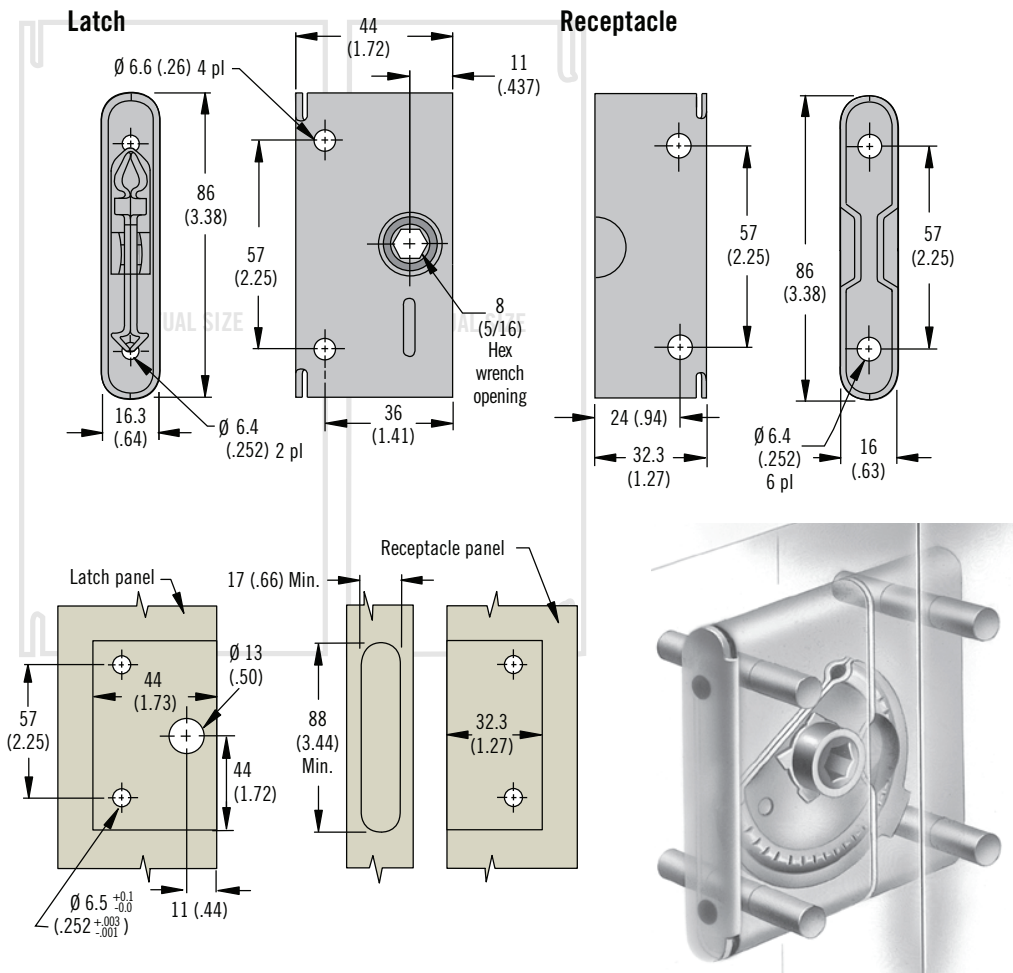
Install assembly with $\varnothing 6$ (1/4) rivets or M6 (1/4) screws (not supplied).

A 1.6 (.06) gap should be maintained between latch and receptacle.

Accessories

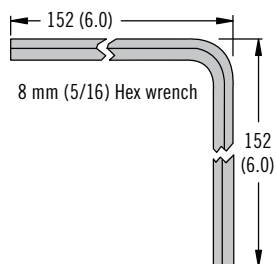
Actuation tool
Part number: 29-0059-02

Hole plugs
Part number:
White: T5-7075-000
Black: T5-7075-028



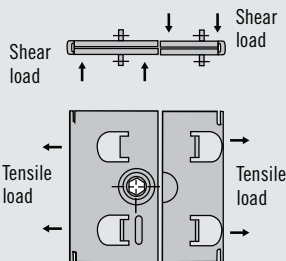
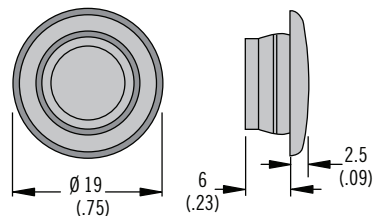
Accessories

Actuation Tool



Hole Plugs

Optional hole plugs to conceal actuator access hole are available for a 13 (.50) diameter hole



Part Number

See table

Order latch and keeper separately

Part Number	
Latch	R2-0055-02
Receptacle	R2-0002-02

Dimensions in millimeters (inch) unless otherwise stated

