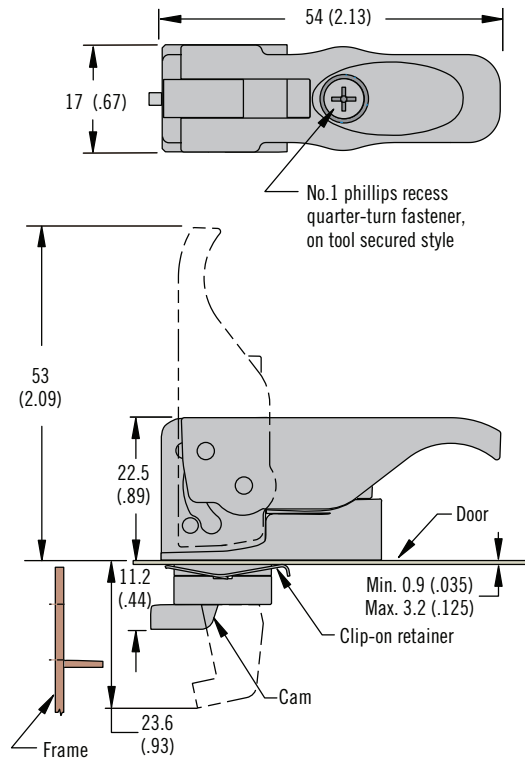


# P7 Inject / Eject Mechanism Ejectors

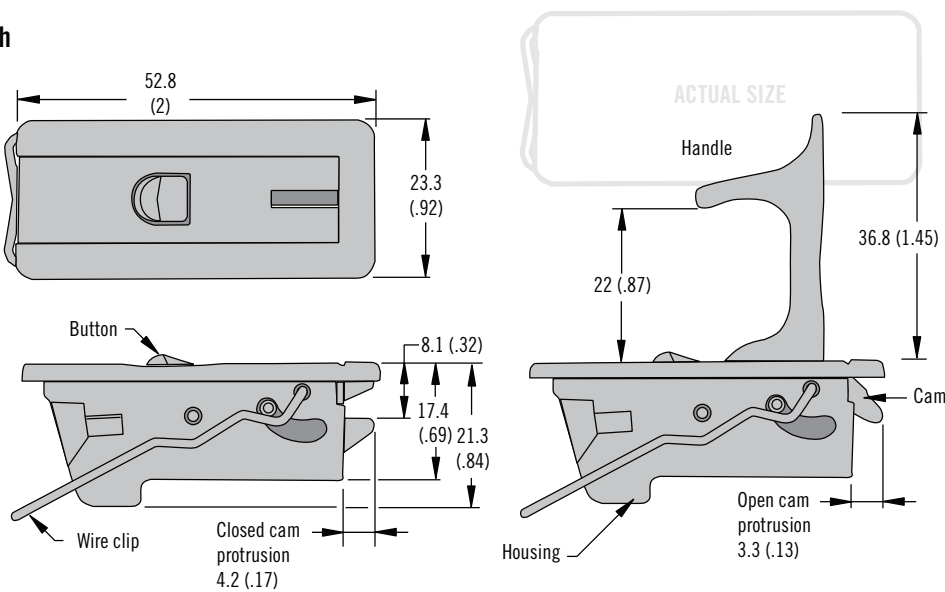


## Handle



Part Number			
Panel Thickness	Non Tool Secured	Tool Secured	Secondary Catch
0.9 - 1.6 (.035 - .063)	P7-1-301-15	P7-1-302-15	P7-1-303-15
1.7 - 2.4 (.067 - .094)	P7-1-301-25	P7-1-302-25	P7-1-303-25
2.5 - 3.2 (.098 - .125)	P7-1-301-35	P7-1-302-35	P7-1-303-35

## Flush



Part Number
P7-99-103-53

## Material and Finish

### Handle

Housing, lever: Polyester, black

Cam: Low carbon steel, zinc plated, chromate plus sealer

Pins: 302 Stainless steel, passivated

Clip-on retainer: 301 Stainless steel, passivated

### Flush:

Housing, button and handle: Die-cast zinc, black powder coated

Cam: Steel, black zinc phosphate

Wire clip, torsion springs and pins:

Stainless steel, natural