



# NY Standoff

Quarter-turn style · Push / pull style

- Quick to install and quick to release
- Light, tough and impact resistant
- Non-conductive, non-corrosive materials

### Material and Finish

Polysulfone, black

### Performance Details

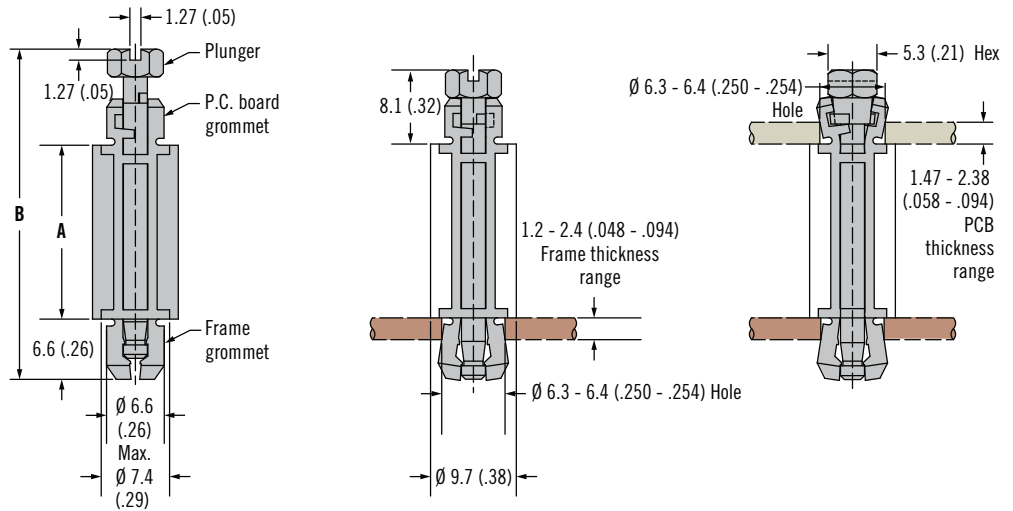
Max. operating temperature:  
177°C (350°F)

Flammability rating: UL94-V0

### Part Number

See table

### Quarter-Turn Style



Standoff as Received

Installed in Frame

With PCB in Place

Part Number	Dimensions	
	A ± .1 (.003)	B Max.
NY-S4-188-30	4.8 (.188)	22.6 (.890)
NY-S4-250-30	6.4 (.250)	24.1 (.952)
NY-S4-375-30	9.5 (.375)	27.4 (1.077)
NY-S4-500-30	12.7 (.500)	30.5 (1.202)
NY-S4-625-30	15.8 (.625)	33.7 (1.327)
NY-S4-750-30	19.0 (.750)	36.8 (1.452)

- Tool-free installation and operation
- Standoff provides 360° support / stability
- Tough and impact resistant materials
- Non-conductive, non-corrosive materials

### Material and Finish

Polycarbonate, natural

### Performance Details

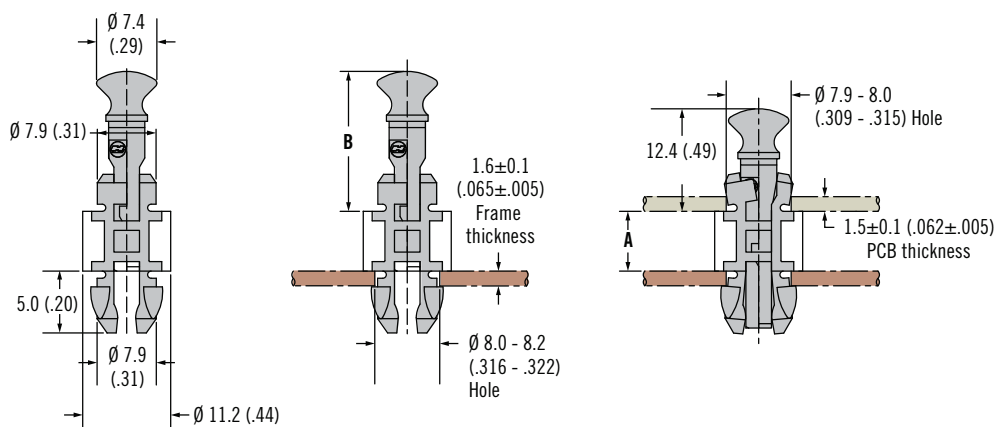
Max. operating temperature:  
85°C (185°F)

Flammability rating: UL94-V2

### Part Number

See table

### Push / Pull Style



Standoff as Received

Installed in Frame

With PCB in Place

Part Number	A	B
NY-S5-1-15	5.0 (.197)	17 (.67)
NY-S5-3-15	9.5 (.374)	17 (.67)

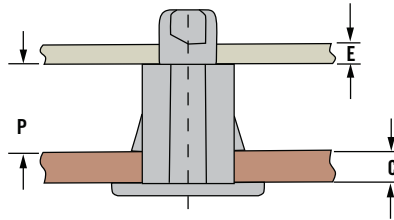
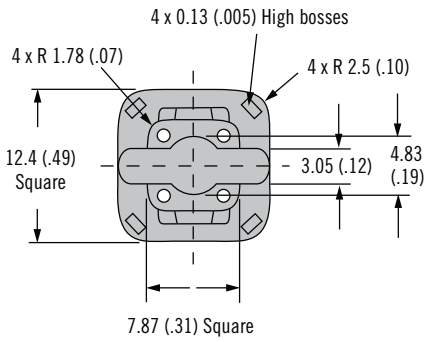


[www.southco.com/NY1](http://www.southco.com/NY1)

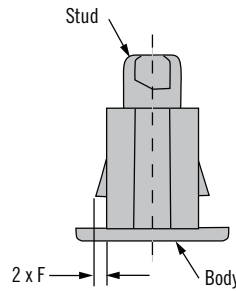
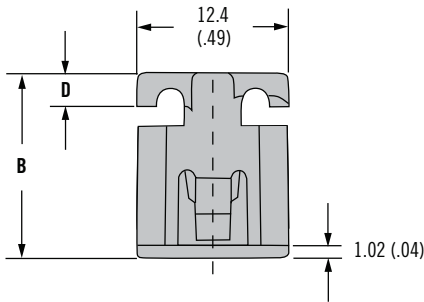
Dimensions in millimeters (inch) unless otherwise stated

# NY Standoff

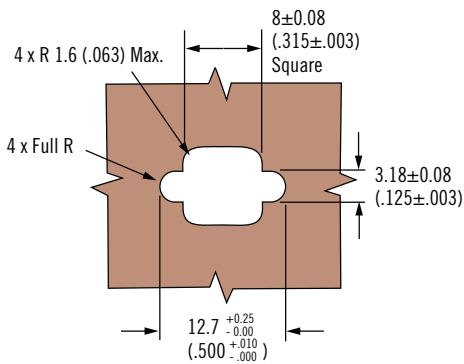
## Low profile style



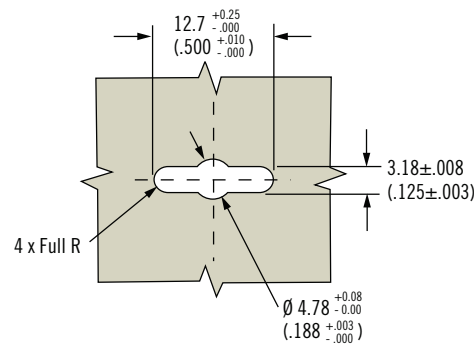
ACTUAL SIZE



### Fixed Hole



### Removable Hole



Part Number	P	B	C	D	E	F
NY-S6-24	10 (.394)	19.7 (.774)	1.68 (.066)	3.8 (.15)	2.1 (.084)	0.9 (.035)
NY-S6-25	13 (.511)	22.5 (.884)			2.3 (.092)	
NY-S6-27	13 (.51)	22.7 (.895)	2.3 (.090)		2.4 (.093)	0.8 (.030)
NY-S6-31	11 (.435)	19.6 (.770)	1.65 (.065)		1.8 (.070)	1 (.040)
NY-S6-32						

- One piece design eliminates loose hardware
- Tool-free installation and operation
- Non-conductive, non-corrosive materials

### Material and Finish

Polycarbonate black or white

### Performance Details

Max. operating temperature:  
85°C (185°F)

Flammability rating: UL94-V2