

ACCESS HARDWARE

MT Pin · Push-to-Close Latch

B

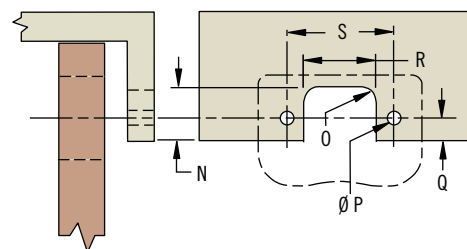
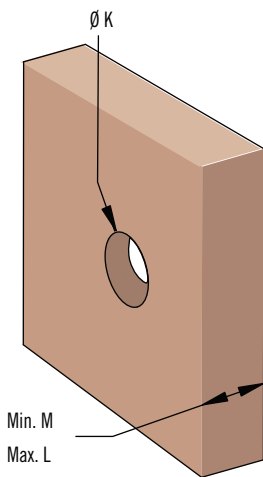
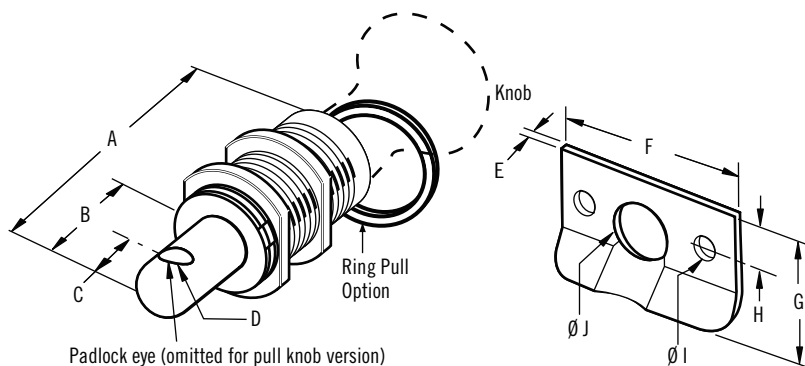


DOOR THICKNESS RANGE:
3 - 19MM (1/8" - 3/4")

The Pin-Latch compartment latch is designed for concealed latching of cabinets and compartments.

It features:

- All marine-grade stainless steel materials for superior corrosion resistance
- Padlock eye and ring for added security
- Assembly includes latch and striker plate



Type	Door thickness	Part Number
Ring Pull	3-19mm (1/8-3/4")	MT-04-11-24
Knob	3-19mm (1/8-3/4")	MT-99-12

	Imperial		Metric
	Nominal	Decimal	
A	2 16/64	2.19	56
B Ring	55/64	0.88	22
B Knob	11/16	0.67	17
C	17/64	0.28	7
D	1/4	0.26	6.5
E	3/64	0.06	1.5
F	2	2	51
G	1 11/32	1.34	34
H	15/32	0.47	12
I	11/64	0.17	4.4
J	37/64	0.57	14.5
K	25/32	0.82	20
L	47/64	0.75	19
M	7/64	0.12	3
N	35/64	0.55	14
O	5/16	0.31	8
P	11/64	0.177	4.5
Q	3/16	0.2	5
R	25/32	0.79	20
S	1 5/16	1.29	33
T	1/2	0.5	12.5

Application

