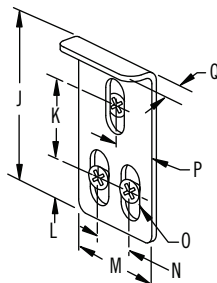
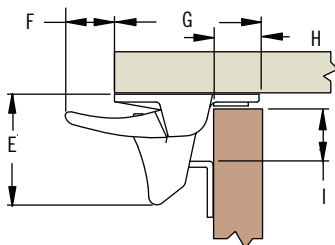
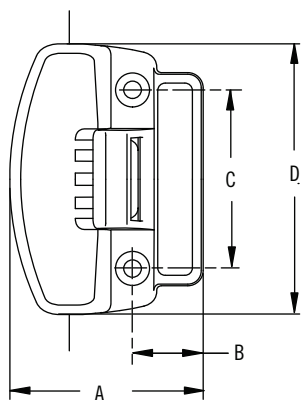


ACCESS HARDWARE

MT Parrot Push-to-Close Latch



The Parrot is a concealed, positive latch for interior and exterior doors and fits into both flat and curved doors.

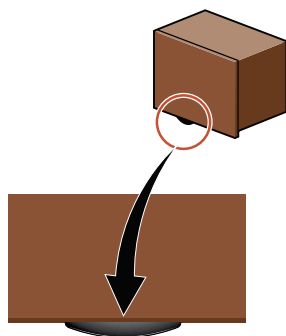
It features:

- Dampening pad eliminates the hard sound of a slammed hatch
- Easy installation
- Assembly includes striker

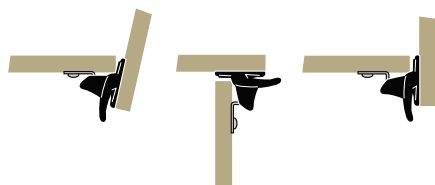
Available Options:

Finish: Choose from black, chrome, satin, or diamond brass.

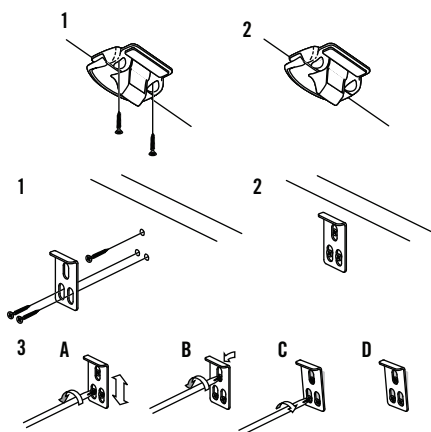
Mounting alternatives



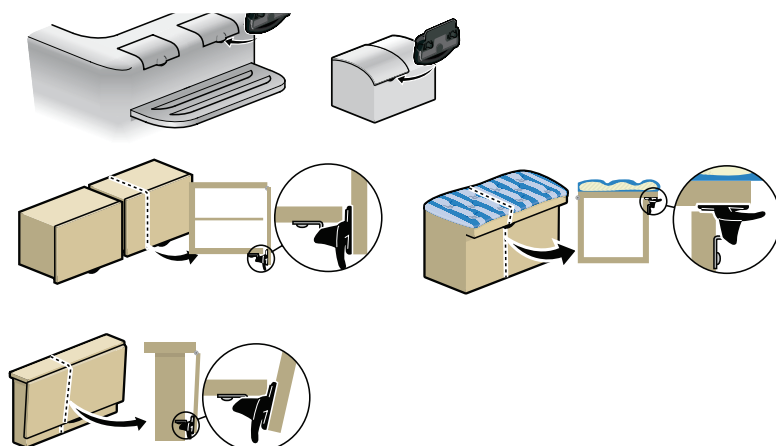
Parrot Panel Latch - view from front of panel



Installation



Applications



	Imperial		Metric
	Nominal	Decimal	
A	1 61/64	1.97	50
B	47/64	0.73	18.5
C	1 13/16	1.81	46
D	2 49/64	2.76	70
E	1 5/32	1.15	29
F	1/2	0.5	12.5
G	1 31/64	1.48	37.5
H	1/2	0.5	12.7
I	21/32	0.65	16.5
J	13/16	0.81	21
K	11/32	0.34	9
L	1/4	0.25	6.3
M	21/32	0.67	17
N	25/64	0.41	10
O	1/8 x 5/16	.14 x .30	3.5 x 7.6
P	21/64	0.33	8.5
Q	23/64	0.38	9.5

Parrot Part Numbers	
Black	MT-02-10-5
Satin	MT-02-10-2
Chrome	MT-02-10-1
Diamond brass	MT-02-10-4

