

ACCESS HARDWARE

MP Beetle Push-to-Close Latch · Medium · Plastic · Lift to Open

B



- Adjustable Grip
- Round-hole installation
- Inside actuation when locked or unlocked

Material and Finish

Housing cover, cup and handle:
Stainless steel, 316 grade electropolished
Housing:
PC/PBT blend, black or white

Performance Details

Max. working load: 270 N (60 lbf)

Operating temperature range:
-18°C (0°F) to 60°C (140°F)

Flammability rating: UL94-HB

Installation Notes

Max. tightening torque on mounting screws (supplied): 1.7 N·m (15 in-lbf)

Accessories

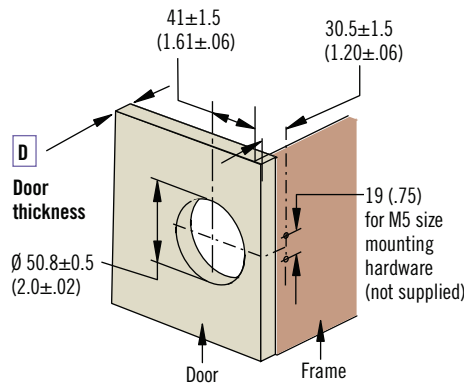
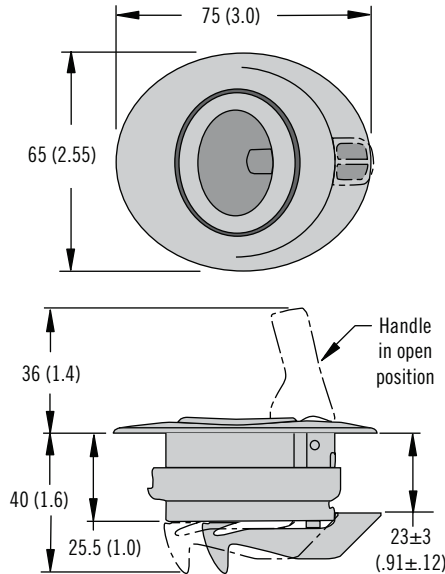
- Keeper
Part number: M1-519-4
- Key 948 (pair)
Part number: MF-97-948-41



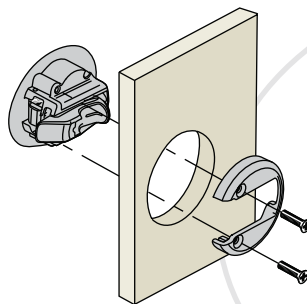
For other keying options please contact Southco Marine

Replacement mounting screw
Part number: MP-520-28-4

Non-Locking



Installation

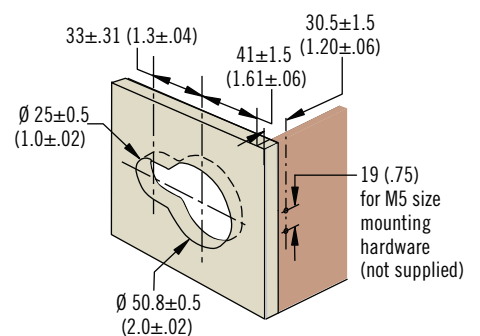
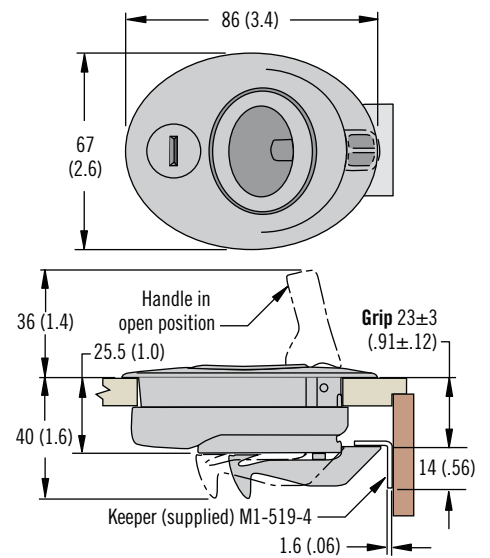


Part Number Selection

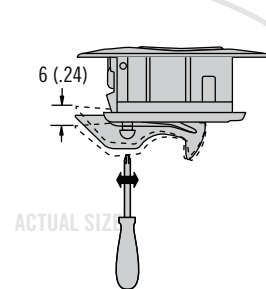
MP - 03 - 1 **L** **D** - **F** **0**

- L** Lock style
 - 0 Non-locking
 - 1 Key-locking keyed alike 948 (2 keys supplied)
- D** Door thickness
 - 0 10 - 16 (.39 - .63)
 - 1 16 - 22 (.63 - .87)
- F** Finish
 - 00 316 Stainless cover over black housing
 - 55 Black housing
 - 77 White housing

Locking



Grip Adjustment



ACTUAL SIZE

