

# CABIN & COCKPIT ENTRY HARDWARE

## MF ProFlush Entry Door Lock

A

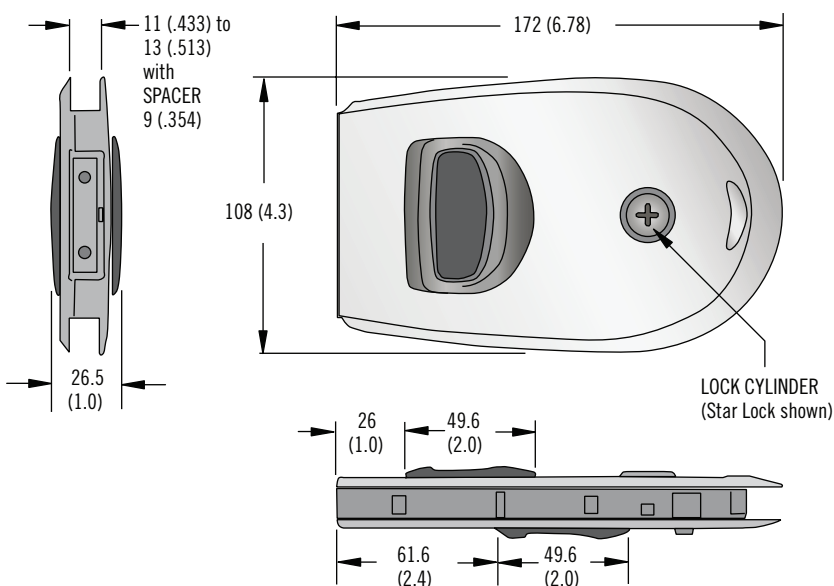


- Sealed to help prevent water intrusion
- Adjusting screws provide a tight fit to the door
- Suitable for doors between 9-13mm
- Available with two types of lock plugs
  - Star lock system, provides high security with a pin tumbler lock plug
  - 3 wafer flat key (MIM) lock, provides security with a stainless steel plug and has a reversible key
- Shuttered lock plugs protect from debris
- Oval and square variant available

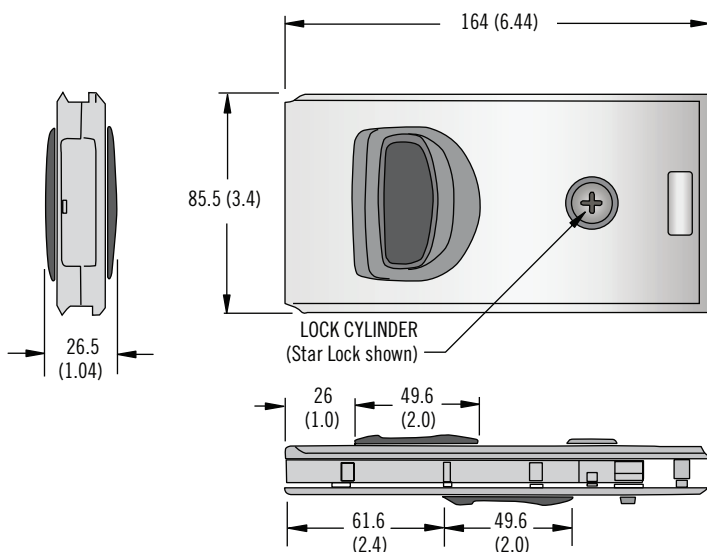
### Star Lock System



- Improved security in a compact package
- 6 pin tumblers provide similar protection to full sized DIN lock
- Marine grade materials resist corrosion
- Key features an ergonomic key grip and robust feel
- Stainless steel lock for strength and corrosion resistance
- Locks can be matched to other Southco deck latches. Contact Southco Marine for information
- Flat overmolded key provides comfortable grip



### 3 wafer flat key (MIM) system



	PART NUMBER	
Pro Flush Latch*	Oval	Square
Star Lock	MF-05-430-24	MF-05-530-24
Disc Tumbler Lock	MF-05-450-24	MF-05-550-24

\* Two grip friendly overmolded keys and a keeper supplied.

For spare keys please contact Southco Marine



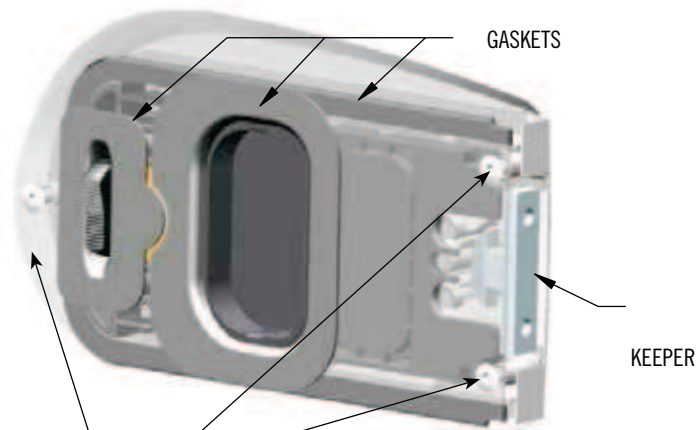
[www.southco.com/MF](http://www.southco.com/MF)

Dimensions in millimeters (inch) unless otherwise stated



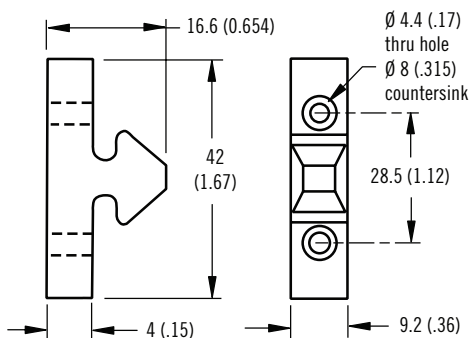
# CABIN & COCKPIT ENTRY HARDWARE

## Gasket Seal

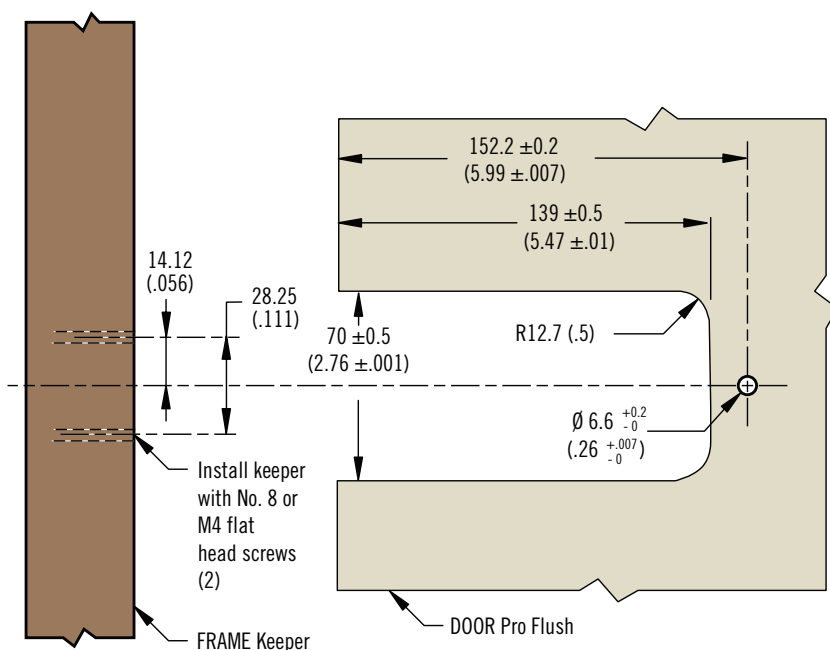


Tightening screws (M4) with a Torx T10 tool provides gasketed seal

## Keeper



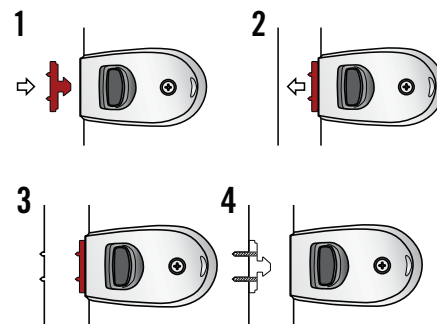
## Panel Preparation



## Accessories

### Mounting Tool

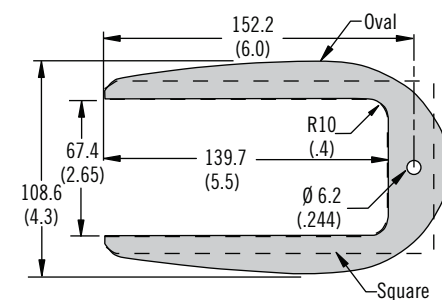
- A keeper mounting tool is available that quickly marks the correct location for the keeper mounting screws



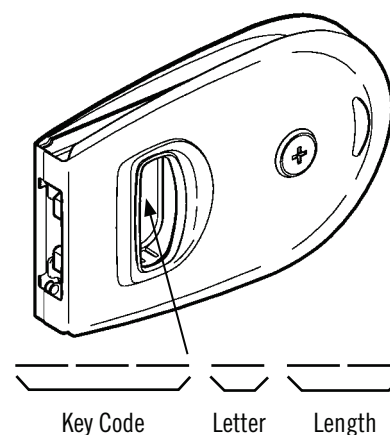
Accessories	PART NUMBER
Oval Spacer	MF-92-400-24
Square Spacer	MF-92-500-24
Mounting Tool	MF-90-400-10

### Spacer

- Spacer accessory available for doors that are 10mm (.42") thick
- Spacer allows use in thinner door thickness to 9mm (.35")



### How to determine your key combination



A



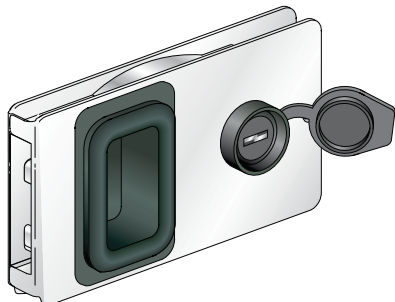
# CABIN & COCKPIT ENTRY HARDWARE

## MF Flush Entry Door Lock

A



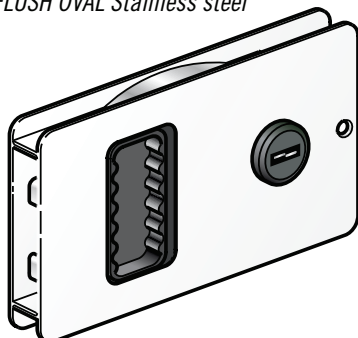
FLUSH with Weather proof seal



FLUSH with Watertight seal



FLUSH OVAL Stainless steel



FLUSH Standard version, white

### DOOR THICKNESS: 12.7mm (1/2") or 10mm (3/8") with optional spacer.

The popular Flush sliding-door lock allows for a wide range of movement for sliding doors. The unique, low-profile design allows for a multitude of sliding door designs, even doors that retract into the bulkhead. The flush design allows companionway doors to slide into recessed pockets without interfering with the helm station.

- Allows for 100 - 150mm (4" - 6") more door travel than traditional sliding-door lock styles
- Safety lock prevents the door from being locked from the inside.  
To activate: turn key clockwise and remove
- Shipped with striker and two keys
- Locks can be matched to other Southco deck latches.  
Contact Southco Marine for more information

### Available Options:

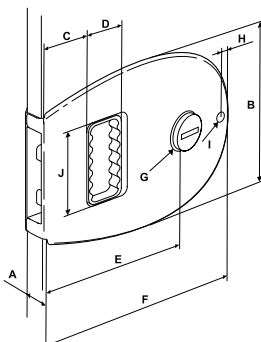
Sealing: Weatherproof and watertight seals.  
Material/Finish: Stainless Steel, Aluminum anodized, Black anodized or White powdercoat.  
Shape: Oval or rectangular design.

### Accessories.

Spacer to accept a 10mm (3/8") door thickness  
Mounting tool for striker

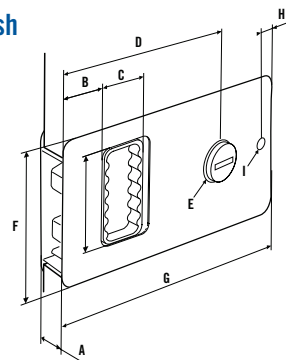
For spare keys please contact Southco Marine

### Flush Oval



	Imperial		Metric
	Nominal	Decimal	
A	1/2	.500	12.7
B	3 7/8	3.878	98.5
C	49/64	.768	19.5
D	49/64	.772	19.6
E	3 3/4	3.74	95
F	5 53/64	5.827	148
G	53/64	.827	21
H	33/64	.512	13
I	13/64	.197	5
J	1 3/4	1.752	44.5

### Flush



	Imperial		Metric
	Nominal	Decimal	
A	1/2	.500	12.7
B	1 1/8	1.122	28.5
C	25/32	.787	20
D	3 49/64	3.760	95.5
E	53/64	.827	21
F	2 7/8	2.875	73
G	5 9/32	5.281	134
H	21/64	.335	8.5
I	15/64	.236	6
J	1 3/4	1.752	44.5



# CABIN & COCKPIT ENTRY HARDWARE

**A**

## Part Number Selection

### T Type

- 1 Standard
- 2 Weatherproof
- 3 Splashproof

For fully sealed waterproof version please see "ProFlush" on page 32



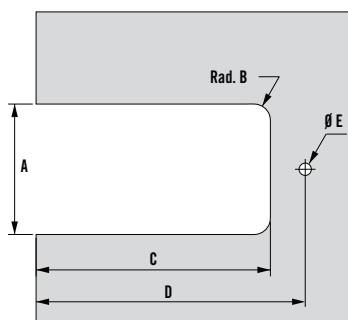
### FF Finish

- 24 Stainless Steel
- 50 Black
- 60 Aluminium
- 70 White

### S Shape

- 1 Square Short (D = 125.7mm)
- 2 Square Long (D = 135.7mm, Not in Stainless Steel)
- 3 Oval (Stainless Steel Finish Only)

## Panel Preparation



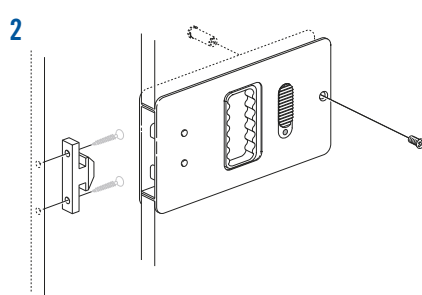
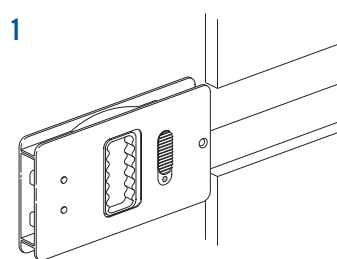
### Flush Square Short

	Imperial		Metric
	Nominal	Decimal	
A	2 1/2	2.5	63.5
B	5/16	.313	8
C	4 1/2	4.5	114
D	4 61/64	4.95	125.7
E	1/4	.25	6.4

### Flush Oval & Square Long

	Imperial		Metric
	Nominal	Decimal	
A	2 1/2	2.5	63.5
B	5/16	.313	8
C	4 1/2	4.5	114
D	5 5/16	5.315	135
E	1/4	.25	6.35

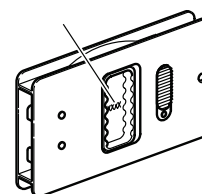
## Installation



### How to determine your key combination

#### Flush

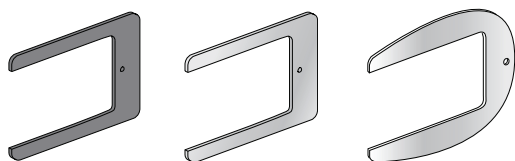
Key # for ordering sparekey starting with 8\_\_ or 9\_\_



## Options

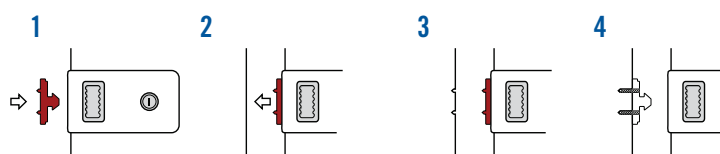
Spacer accessory available for doors that are 10 mm (3/8") thick. The spacers are available in clear or black anodized aluminium.

A keeper mounting tool is available that quickly marks the correct location for the keeper mounting screws



MF-92-100-50 Black anodized  
MF-92-100-60 Clear anodized

MF-92-300-24  
Oval Spacer  
(Stainless Steel)



Mounting tool part numbers:  
Standard Flush: MF-90-102-10  
Stainless Steel Flush: MF-90-103-10

