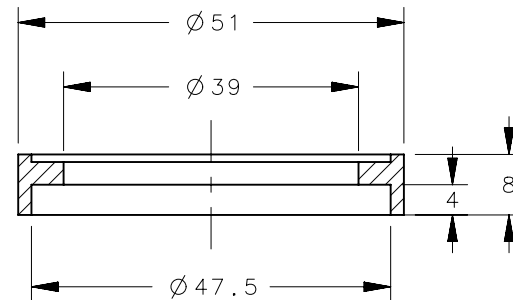
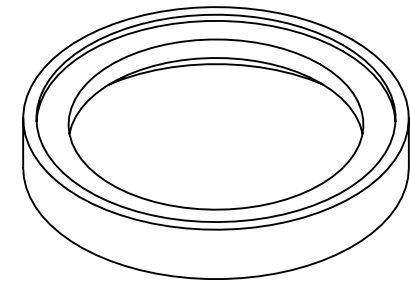
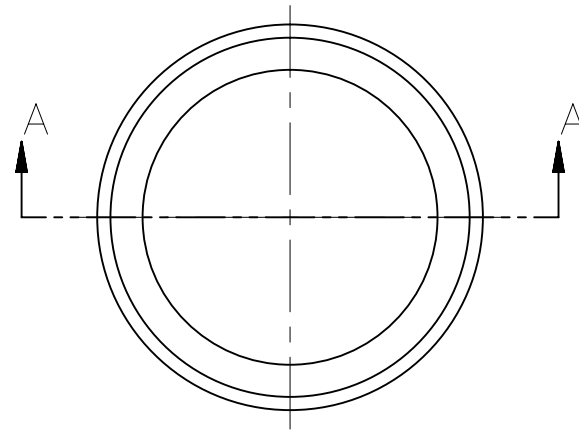
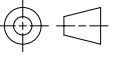



REVISION HISTORY			
REV	DATE	BY	DESCRIPTION
B	08APR2015	DMS/YGC	PRN: P2015-0682



SECTION A-A

M1-510-96-1		SPACER		NYLON		BLACK	
PART NUMBER		TYPE OF COMPONENT		MATERIAL		FINISH	
		THIRD ANGLE PROJECTION 		 CONNECT • CREATE • INNOVATE			
		MILLIMETERS [IN]					
SURFACE AREA		TOLERANCES UNLESS OTHERWISE NOTED		DESCRIPTION			
VOLUME		ALL DIMENSIONS WITHOUT TOLERANCES ARE FOR REFERENCE ONLY.		M1-15 SPACER			
PROPRIETARY ITEM		PER ASME Y14.5M-1994		SIZE	SYSTEM	DWG NO.	
EXCEPT FOR USES EXPRESSLY GRANTED IN WRITING, INFORMATION DISCLOSED HEREON IS CONFIDENTIAL AND ALL RIGHTS, PATENT AND OTHERWISE, ARE RESERVED BY SOUTHCO, INC.				A4	NX	J-M1-510-96-1	
				DRAWN BY	DATE	SCALE	SHEET
				DMS/YGC	05MAR2015	1:1	1 OF 1