



M1 Push-to-Close Latch

Lift-to-open · Flush

- Lift-to-open
- Single hole installation
- Dual sided latching

Material and Finish

Latching slides and mounting bracket:

Glass reinforced nylon, black
Housing and paddle:
Polycarbonate/ABS, black

Performance Details

Max. working load: 500 N (112 lbf)

Flammability rating: UL94-HB

Installation Notes

Max. tightening torque on torx mounting screws:
1.8 N·m (16 in·lbf)

Accessories

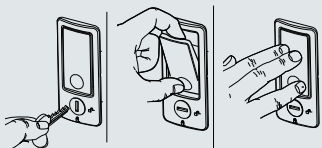
Flat key, keyed alike CH751
(2 keys per ring)
Part number: PK-10-01



Overmolded key, keyed alike CH751
(2 keys per ring)
Part number: PK-10-01-05

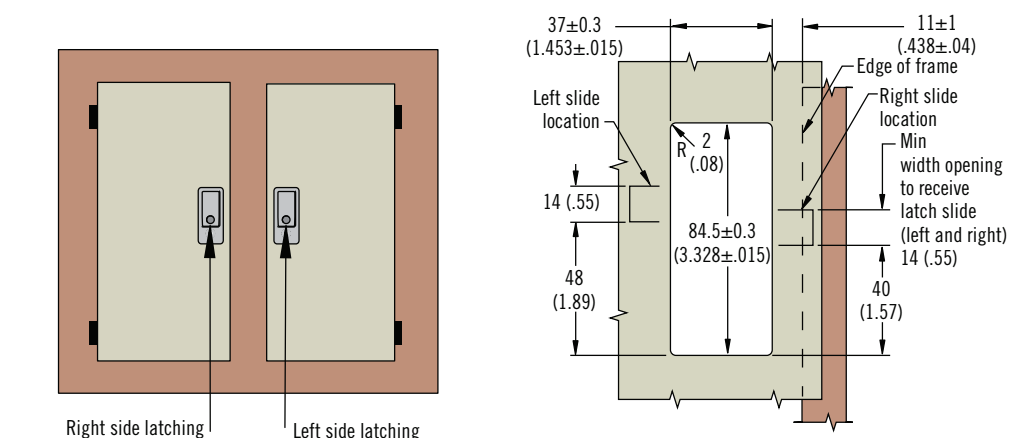
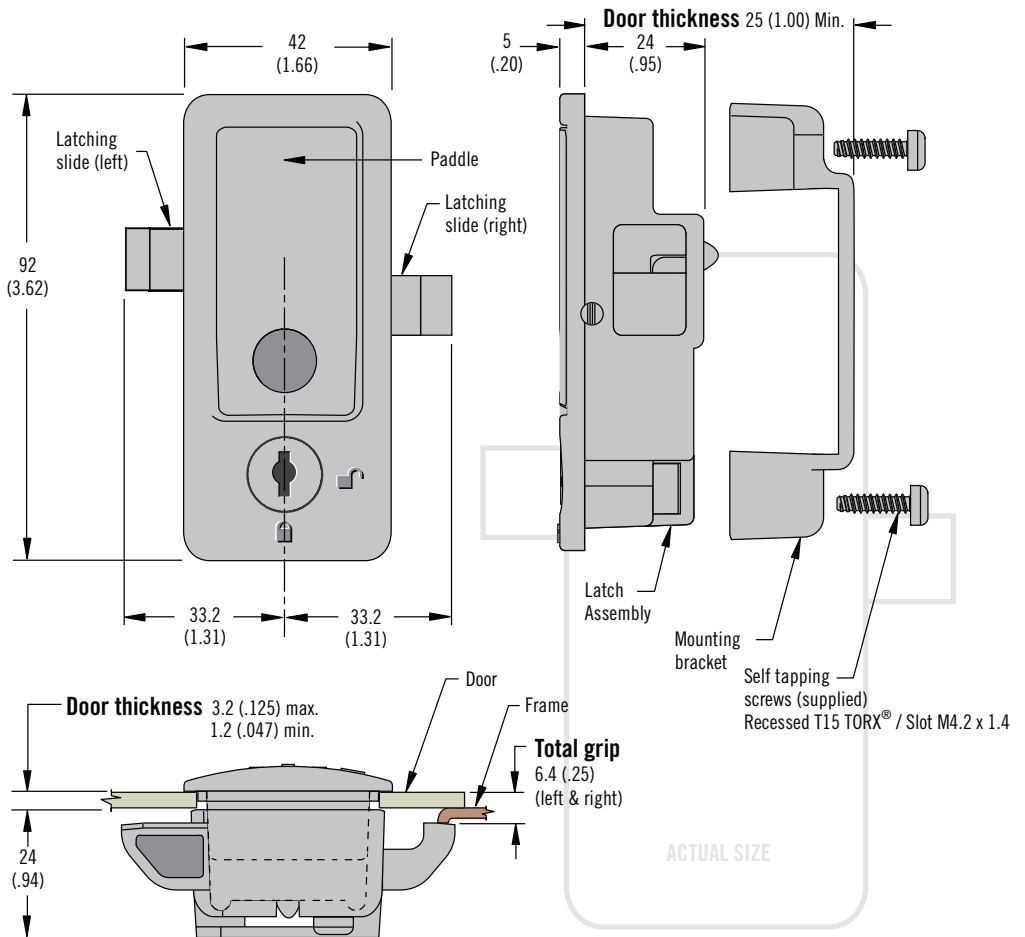


1. Unlock
2. Press and pull to open
3. Push to close



Part Number

See table



Part Number (2 Flat Keys Supplied)	
Right side latching	M1-2F-1-25
Dual side latching	M1-2F-2-25
Left side latching	M1-2F-3-25

Dimensions in millimeters (inch) unless otherwise stated