



# M1 Push-to-Close Latch

## Pull-to-open

- Single, round-hole installation
- Flush pop out knob
- Corrosion-resistant materials

### Material and Finish

PC/ABS, black, chrome plated or gold colored PVD

### Performance Details

Max. working load: 310 N (70 lbf)

Operating temperature range:

-30°C (-22°F) to 60°C (140°F)

Flammability rating: UL94-HB

### Installation Notes

Max. tightening torque on

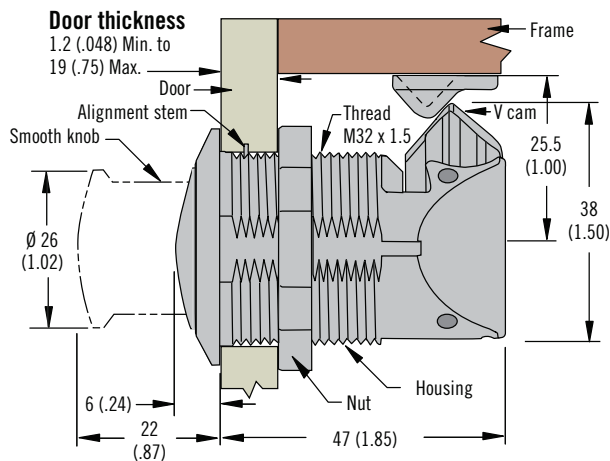
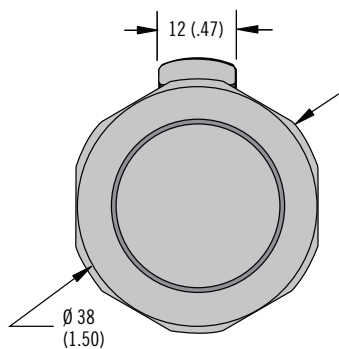
mounting nut:

4.2 N·m (37 in·lbf)

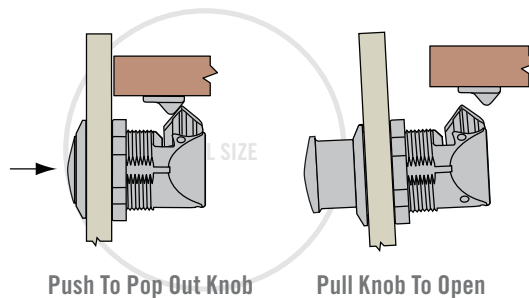
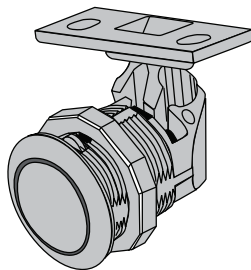
### Accessories

Replacement Keeper

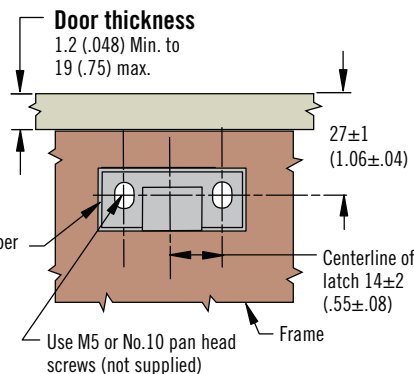
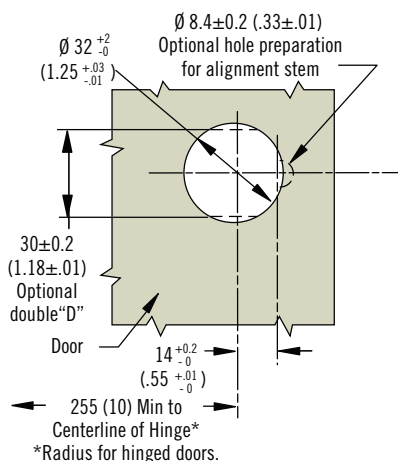
Part number: M1-2A-9-105-41



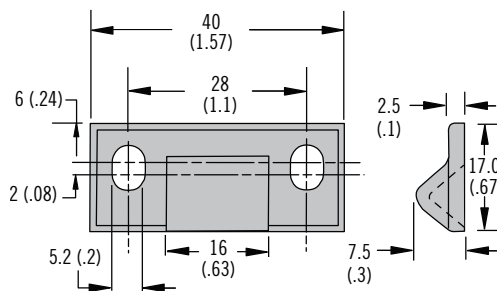
Closed



### Installation



### Keeper



### Part Number

See table

Finish	Part Number
Chrome	M1-2A-15-1
Black	M1-2A-15-5
Gold	M1-2A-15-8

Dimensions in millimeters (inch) unless otherwise stated



[www.southco.com/M1B](http://www.southco.com/M1B)

**southco**  
CONNECT · CREATE · INNOVATE