

M1 Push-to-Close Latch

Turn-to-open



- Single, round-hole installation
- Flush pop out knob
- Corrosion-resistant materials

Material and Finish

PC/ABS, black, chrome plated or gold colored PVD

Performance Details

Max. working load: 310 N (70 lbf)

Operating temperature range:
-30°C (-22°F) to 60°C (140°F)

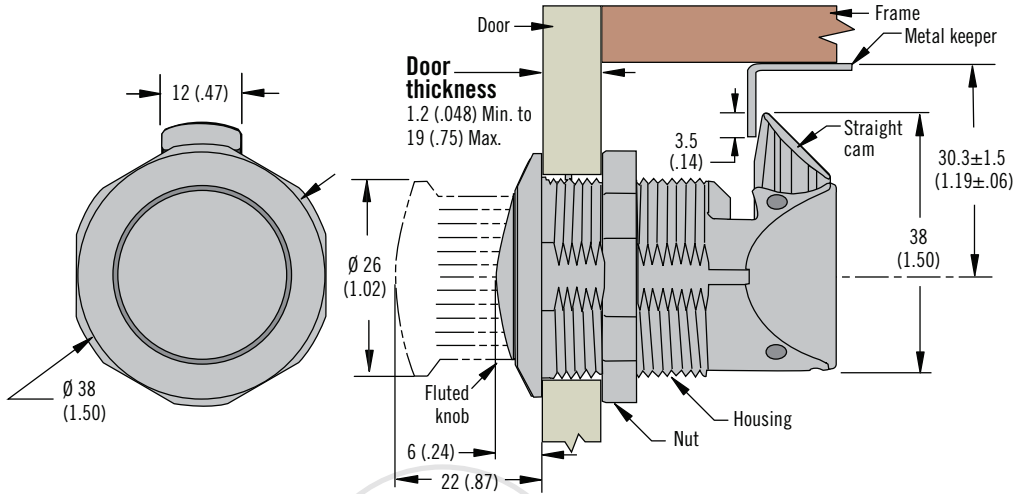
Flammability rating: UL94-HB

Installation Notes

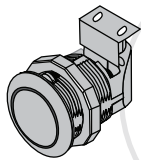
Max. tightening torque on mounting nut:
4.2 N·m (37 in·lbf)

Accessories

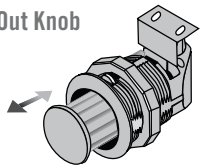
Replacement Keeper
Part number: M1-519-4



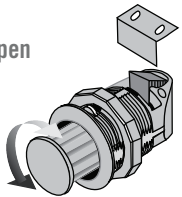
Closed



Push To Pop Out Knob

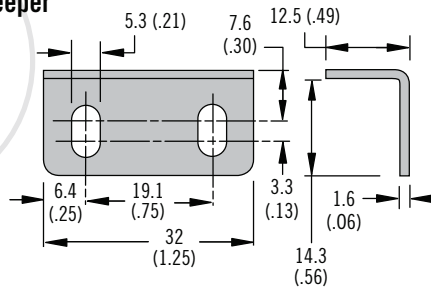


Turn Knob To Open

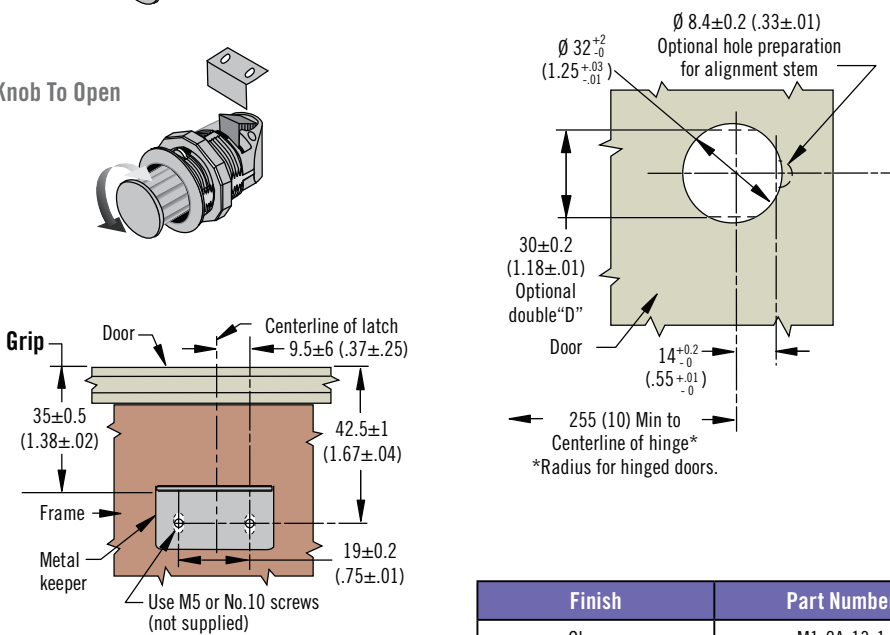


Keeper

ACTUAL SIZE



Installation



Finish	Part Number
Chrome	M1-2A-13-1
Black	M1-2A-13-5
Gold	M1-2A-13-8

Part Number

See table



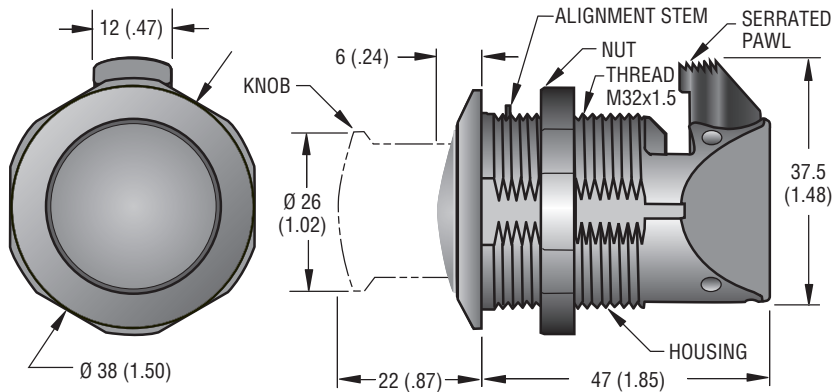
Southco® Push to Close Latch

Pop-out Knob Design

- Turn the knob to open, simply push the door to close
- Knob stores flush; pops out at a touch
- Securely latches with knob in or out
- Corrosion and UV-Resistant
- Accommodates misalignment
- Quick, round-hole installation

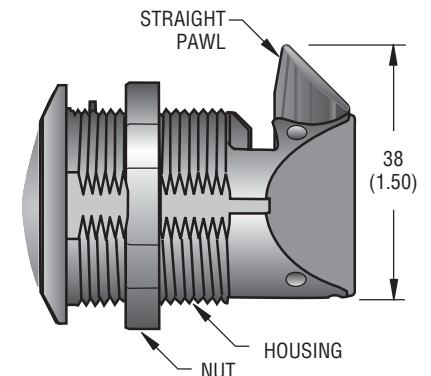
Self-adjusting Grip

- Accommodates misalignment in 3 planes



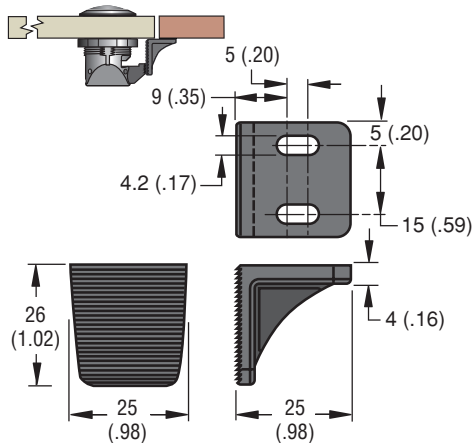
PART NUMBERS		
FINISH Knob/Housing	SELF ADJUSTING GRIP	
	FLUSH-MOUNT ASSEMBLY	SURFACE-MOUNT ASSEMBLY
Chrome/Chrome	M1-2A-12-1 •	M1-2A-11-1 •
Black/Black	M1-2A-12-5 •	M1-2A-11-5 •
Gold/Gold	M1-2A-12-8 •	M1-2A-11-8 •

Fixed Grip

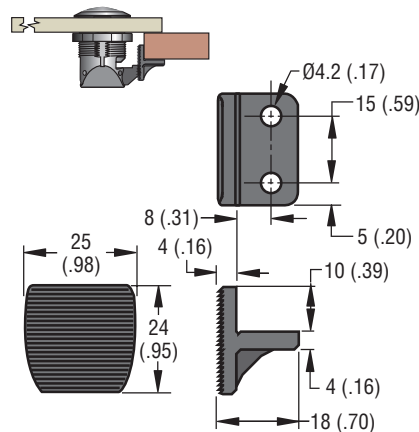


PART NUMBER	
FINISH Knob/Housing	FIXED-GRIP ASSEMBLY
Chrome/Chrome	M1-2A-13-1 •
Black/Black	M1-2A-13-5 •
Gold/Gold	M1-2A-13-8 •

Flush-mount Keeper For Flush Door/Frame Configurations



Surface-mount Keeper For Overlapping Doors



Metal Keeper

Can be used for Perpendicular
Door/Frame Configurations

