

LR Quick-Release Pins

Detent pins

- Spring-loaded ball detent
- Corrosion resistant 300 series stainless steel
- Push to install, pull to remove

Material and Finish

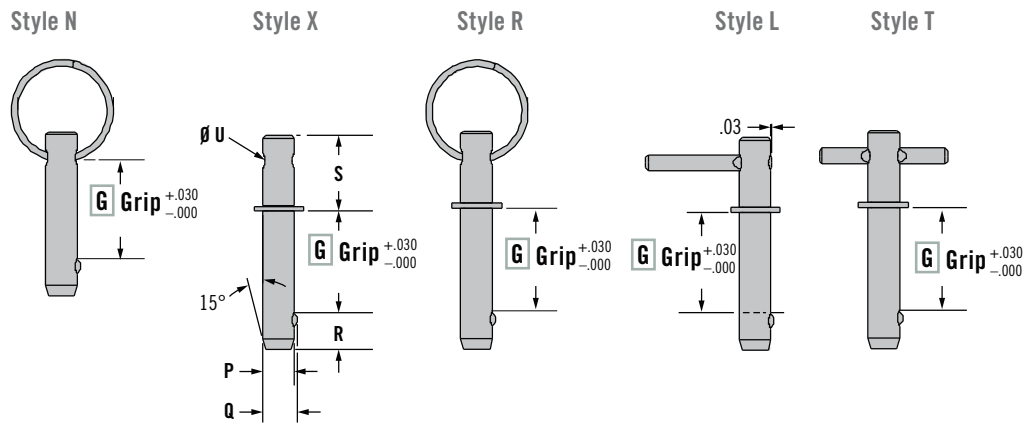
300 Series stainless steel

Notes

*Shear values based on 60% of ultimate tensile strength of material

Additional pin configurations and sizes, including metric pins are available on request.

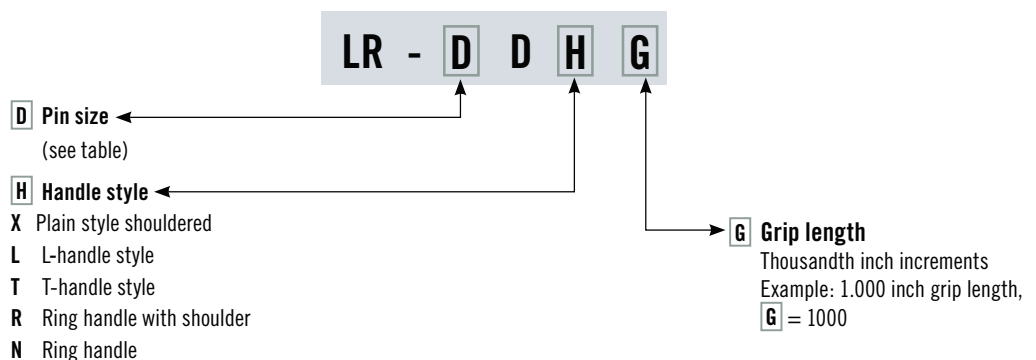
Handles



Nominal Pin Diameter	D Pin Size	Dimensions					Calculated Double Shear* (lbf)
		P +0 -0.003	Q ±.010	R Max.	S	U	
3/16	3	.188	.200	.200	.750	.096	2560
1/4	4	.250	.286	.312	.750	.128	4600
5/16	5	.313	.358	.375	.750	.159	7220
3/8	6	.375	.426	.500	.750	.159	10440
7/16	7	.438	.496	.562	1.000	.159	14240
1/2	8	.500	.570	.625	1.062	.191	18620
9/16	9	.563	.642	.687	1.062	.191	23600
5/8	10	.625	.710	.750	1.125	.253	29180
3/4	12	.750	.856	.937	1.375	.253	42080
7/8	14	.875	.996	1.000	1.500	.379	57340
1	16	1.000	1.140	1.250	1.500	.379	74940

Part Number Selection

Example: LR-5DX1000
5/16 inch diameter, plain style shouldered handle, 1 inch grip length



Dimensions in inches unless otherwise stated